

MY SPRAYERS 2021



MADE IN ITALY

MY SPRAYERS 2021

04
PRO LINE - PROFESSIONAL SPRAYING LINE

34
V.BLACK - HOME & HOBBY SPRAYING LINE

58
VOLPITECH - SPRAYING LINE FOR INDUSTRIAL USE AND SANIFICATION

72
MICRONIZERS

80
WHEELBARROWS AND MOTOR PUMPS

88
ACCESSORIES & SPARE PARTS

131
EXPORT GENERAL SALES CONDITIONS



LEADING
INNOVATOR FOR
MORE THAN
140 YEARS



Davide & Luigi Volpi S.p.A. manufactures a complete range of **equipment for gardening, nurseries, horticulture and industrial use:** reliable, resistant and easy to use products.

Founded in **1879** for the production of manual knapsack sprayers, **Davide e Luigi Volpi S.p.A.** has widened its products' range introducing **pre-compression sprayers, manual and electric dusters and electric knapsack sprayers.**

All stages of manufacturing, from designing to testing, are realized inside the company: every step of the production cycle follows long-established procedures, in accordance with the **Quality Certification ISO 9001:2015.**

During the years, the continuous improvement in technology has allowed **Volpi S.p.A.** to achieve considerable levels of quality and a high reliability of the products.

PRO LINE - known with the brand **VOLPI ORIGINALE**, consists of a wide range of products, both manual and electric. It is suitable for the most demanding customers, offering professional and reliable solutions for a frequent use.

V-BLACK: is the new and innovative Home & Hobby line created by **VOLPI**. This line offers a complete range of manual and electric sprayers for domestic use, ideal for home and gardening.

VOLPITECH the spraying line for industrial use and sanification, is characterised by the white tanks and the EPDM/FPM gaskets.

It is particularly suitable for spraying chemical aggressive solutions, which could be corrosive for the standard rubber seals.

The whole range of **VOLPI** sprayers is distributed through a highly qualified sales network and professional retailers, who provide after sales service as an added value for the company.

PRO LINE

PROFESSIONAL SPRAYING LINE



A wide range of manual and electric sprayers suitable for those users who need professional products for a frequent use, with high performances and long-term reliability.



Household use



Gardening



ADJUSTABLE NOZZLE

ERGONOMIC HANDLE

POLYETHYLENE TANK

LIGHTWEIGHT

DIFFERENT CAPACITY



Technical features DVL ½L

CODE	DESCRIPTION	FEATURES	QUANTITY
3336	Trigger sprayer ½L	Total tank capacity 0,5 lt	25
		NBR gaskets	
		Polyethylene tank	
		Adjustable nozzle	
		Operating capacity 1,3 ml	
		Net weight 0,07 kg approx	
		Ergonomic handle	
Suitable for spraying indoor plants and for household uses			

Technical features DVL 1L

CODE	DESCRIPTION	FEATURES	QUANTITY
3335	Trigger sprayer 1L	Total tank capacity 1 lt	25
		NBR gaskets	
		Polyethylene tank	
		Adjustable nozzle	
		Operating capacity 1,3 ml	
		Net weight 0,10 kg approx	
		Ergonomic handle	
Suitable for spraying indoor plants and for household uses			

Packing



Q.ty: 25 pcs
Dim.: ½L 38x32x37 cm / 1L 46x29x52 cm
Weight: ½L 2,4 Kg / 1L 3,1 Kg



Q.ty: ½L 1000 pcs / 1L 750 pcs

DEA 2000



Household use



Gardening



ERGONOMIC HANDLE

HIGHLY RESISTANT HD POLYETHYLENE TANK

ADJUSTABLE BRASS NOZZLE

PRESSURE DISCHARGE VALVE

DIFFERENT COLOURS



3345KBLIS



3346/12BLIS



Technical features DEA 2000

CODE	DESCRIPTION	FEATURES	QUANTITY
3346	Compression sprayer with adjustable nozzle and pressure discharge valve	<ul style="list-style-type: none"> Total tank capacity 2 lt NBR gaskets Operating capacity 1,8 lt Adjustable brass nozzle can be aimed in any direction HD polyethylene tank Pressure discharge valve Pressure 2 bar Net weight 0,46 kg approx Ergonomic handle Suitable for spraying plants and for household uses Available in different colours 	10
3345KBLIS	Spare part kit for Dea - Blister		5
3346/12BLIS	Complete jointed nozzle for Dea - Blister		5

DEA 2000 REVERSE

Precompression sprayer for gardening

DEA 2000 Reverse has been studied to spray in all positions. The flexible hose is equipped with a weight on one end, which allows to always find the liquid into the tank, even if it is upside down.



Technical features DEA 2000 REVERSE

CODE	DESCRIPTION	FEATURES	QUANTITY
3346F	Reverse compression sprayer with adjustable nozzle and pressure discharge valve	<ul style="list-style-type: none"> Total tank capacity 2 lt NBR gaskets Operating capacity 1,8 lt Suitable for upside down uses Adjustable brass nozzle can be aimed in any direction HD polyethylene tank Pressure discharge valve Pressure 2 bar Net weight 0,46 kg approx Ergonomic handle Suitable for spraying plants and for household uses Available in different colours 	10
3345KBLIS	Spare part kit for Dea - Blister		5
3346/12BLIS	Complete jointed nozzle for Dea - Blister		5

Packing



Q.ty: 10 pcs
Dim.: 38x32x48 cm
Weight: 5 Kg



Q.ty: 300 pcs

DEA 2000 TRASPARENT



ERGONOMIC HANDLE

TRANSPARENT PET TANK

ADJUSTABLE BRASS NOZZLE

PRESSURE DISCHARGE VALVE

DIFFERENT COLOURS




3345KBLIS



3346/12BLIS



Technical features DEA 2000 TRASPARENT

CODE	DESCRIPTION	FEATURES	QUANTITY
3346T	Compression sprayer with transparent tank with adjustable nozzle and pressure discharge valve 	Total tank capacity 2 lt NBR gaskets Operating capacity 1,8 lt Adjustable brass nozzle can be aimed in any direction Transparent pet tank Pressure discharge valve Pressure 2 bar Net weight 0,46 kg approx Ergonomic handle Suitable for spraying plants and for household uses Available in different colours	10
3345KBLIS	Spare part kit for Dea - Blister		5
3346/12BLIS	Complete jointed nozzle for Dea - Blister		5



DEA 2000 TRASPARENT REVERSE

Precompression sprayer for gardening

DEA 2000 Reverse has been studied to spray in all positions. The flexible hose is equipped with a weight on one end, which allows to always find the liquid into the tank, even if it is upside down.



Technical features DEA 2000 TRASPARENT REVERSE

CODE	DESCRIPTION	FEATURES	QUANTITY
3346TF 	Reverse compression sprayer with transparent tank with adjustable nozzle and pressure discharge valve 	Total tank capacity 2 lt NBR gaskets Operating capacity 1,8 lt Suitable for upside down uses Adjustable brass nozzle can be aimed in any direction Transparent pet tank Pressure discharge valve Pressure 2 bar Net weight 0,46 kg approx Ergonomic handle Suitable for spraying plants and for household uses Available in different colours	10
3345KBLIS	Spare part kit for Dea - Blister		5
3346/12BLIS	Complete jointed nozzle for Dea - Blister		5

Packing



Q.ty: 10 pcs
Dim.: 38x32x48 cm
Weight: 4,1 Kg



Q.ty: 300 pcs

GARDEN



ADJUSTABLE BRASS NOZZLE



Ø48 PLASTIC PUMP WITH PRACTICAL HANDLE FOR TRANSPORT



PRESSURE DISCHARGE VALVE



TANK WITH CLEAR VERTICAL LINE FOR BETTER LEVEL READING



SHOULDER STRAP WITH SUPPORT



ON-OFF ERGONOMIC HANDLE

CURVED ALUMINIUM LANCE (40 CM)



Rapid / Get lance



166RPK kit for use with pesticides



3350KBLIS

Technical features GARDEN 4Lt

CODE	DESCRIPTION	FEATURES	Q.TY
3350A	Compression sprayer with Rapid/Get lance 4L	Total tank capacity 4,8 lt 1,2 mt flexible hose Operating capacity 4 lt Lance with adjustable brass nozzle HD polyethylene tank Pressure discharge valve Plastic pump Net weight 1,65 kg approx Pressure 3 bar Option to fit a manometer Adjustable shoulder strap with support and handle Suitable for gardening and disinfestation NBR gaskets Suitable for use with pesticides as per regulation ISO19932 [using 166RPK kit]	1

Technical features GARDEN 6Lt

CODE	DESCRIPTION	FEATURES	Q.TY
3350B	Compression sprayer with Rapid/Get lance 6L	Total tank capacity 6,9 lt 1,2 mt flexible hose Operating capacity 6 lt Lance with adjustable brass nozzle HD polyethylene tank Pressure discharge valve Plastic pump Net weight 1,8 kg approx Pressure 3 bar Option to fit a manometer Adjustable shoulder strap with support and handle NBR gaskets Suitable for use with pesticides as per regulation ISO19932 [using 166RPK kit]	1

Technical features GARDEN 8Lt

CODE	DESCRIPTION	FEATURES	Q.TY
3350C	Compression sprayer with Rapid/Get lance 8L	Total tank capacity 9 lt 1,2 mt flexible hose Operating capacity 8 lt Lance with adjustable brass nozzle HD polyethylene tank Pressure discharge valve Plastic pump Net weight 2,0 kg approx Pressure 3 bar Option to fit a manometer Adjustable shoulder strap with support and handle Suitable for gardening and disinfestation NBR gaskets Suitable for use with pesticides as per regulation ISO19932 [using 166RPK kit]	1

3350KBLIS	Spare part kit for Garden - Blister (for 4Lt / 6Lt / 8Lt)		5
3350M	Additional manometer with brass fitting (for 4Lt / 6Lt / 8Lt)		1
166RPK	Pressure regulator kit and Click/Get lance for Garden - Flora (for 4Lt / 6Lt / 8Lt)		1

Packing



Q.ty: 1 pc
Dim.: 4Lt 20x20x51 cm / 6Lt 20x20x51 cm / 8Lt 20x20x61 cm
Weight: 4Lt 1,9 Kg / 6Lt 2,1 Kg / 8Lt 2,35 Kg



Q.ty: 80 pcs

Spare parts pag 98

FLORA



Gardening
Disinfestation



CURVED ALUMINIUM
LANCE (40 CM)

ADJUSTABLE
BRASS NOZZLE

ON-OFF
ERGONOMIC
HANDLE

Ø48 PLASTIC PUMP
WITH PRACTICAL
HANDLE FOR
TRANSPORT

MANOMETER
(only model 3385CM)

PRESSURE
DISCHARGE VALVE

SHOULDER STRAP
WITH SUPPORT



Rapid / Get lance



166RPK kit for use with pesticides



3350KBLIS

Technical features FLORA

CODE	DESCRIPTION	FEATURES	Q.TY
3385C	Compression sprayer with Rapid/Get lance 	Total tank capacity 11,2 1,2 mt flexible hose Operating capacity 10 lt Lance with adjustable brass nozzle HD polyethylene tank Pressure discharge valve Plastic pump Net weight 2,5 kg approx Pressure 3 bar Option to fit a manometer Adjustable shoulder strap with support and handle NBR gaskets Suitable for use with pesticides as per regulation ISO19932 [using 166RPK kit]	1
3350KBLIS	Spare part kit for Flora - Blister		5
3385CM	With manometer and Rapid/Get lance		1
166RPK	Pressure regulator kit and Click/Get lance for Garden - Flora		1

Spare parts pag 99

PRESSURE REGULATOR

Volpi's pressure regulator 163RP has been designed to maintain a stable output pressure in the nozzle, eliminating the ups and downs produced by the manual pumping. It can be regulated at 1, 2 or 3 bar with each complete turn of the knob. The result is constant output pressure and uniform droplet size.



166RPK kit for use with pesticides



Kit for use with pesticides 166RPK equipped with 163RPBLIS

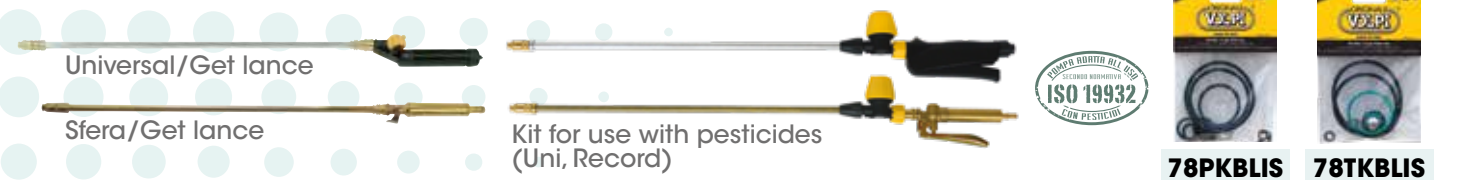
Packing



Q.ty: 1 pc
Dim.: 22x22x66 cm
Weight: 2,6 Kg



Q.ty: 40 pcs



Technical features UNI 12L (Plastic pump)

CODE	DESCRIP.	FEATURES	Q.TY
81PUG	Knapsack sprayer with plastic pump and Universal/Get lance	Total tank capacity 12 lt	1
		1,2 mt flexible hose	
		HD polyethylene tank	
		Lance with adjustable brass nozzle	
		Plastic pump with hydraulic agitator	
		Net weight 3,4 kg approx	
Pressure 6 bar			
81PSF	Knapsack sprayer with plastic pump and Sfera/Get lance	Available with various lance models	1
		Right- or left-handed sprayer	
		Suitable for gardening and agriculture	
		Adjustable shoulder straps with support	
		NBR gaskets	
		Suitable for use with pesticides, as per regulation ISO 19932 [using 166RPK and 168RPK kit]	

Technical features UNI 12L (Brass pump)

CODE	DESCRIP.	FEATURES	Q.TY
81UG	Knapsack sprayer with brass pump and Universal/Get lance	Total tank capacity 12 lt	1
		1,2 mt flexible hose	
		HD polyethylene tank	
		Lance with adjustable brass nozzle	
		Pompante in ottone with hydraulic agitator	
		Net weight 3,6 kg approx	
Pressure 6 bar			
81SF	Knapsack sprayer with brass pump and Sfera/Get lance	Available with various lance models	1
		Right- or left-handed sprayer	
		Suitable for gardening and agriculture	
		Adjustable shoulder straps with support	
		FPM special gaskets	
		Suitable for use with pesticides, as per regulation ISO 19932 [using 166RPK and 168RPK kit]	

Technical features UNI 15L (Plastic pump)

CODE	DESCRIP.	FEATURES	Q.TY
78PUG	Knapsack sprayer with plastic pump and Universal/Get lance	Total tank capacity 15 lt	1
		1,2 mt flexible hose	
		HD polyethylene tank	
		Lance with adjustable brass nozzle	
		Plastic pump with hydraulic agitator	
		Net weight 3,4 kg approx	
Pressure 6 bar			
78PSF	Knapsack sprayer with plastic pump and Sfera/Get lance	Available with various lance models	1
		Right- or left-handed sprayer	
		Suitable for gardening and agriculture	
		Adjustable shoulder straps with support	
		NBR gaskets	
		Suitable for use with pesticides, as per regulation ISO 19932 [using 166RPK and 168RPK kit]	

Technical features UNI 15L (Brass pump)

CODE	DESCRIP.	FEATURES	Q.TY
78UG	Knapsack sprayer with brass pump and Universal/Get lance	Total tank capacity 15 lt	1
		1,2 mt flexible hose	
		HD polyethylene tank	
		Lance with adjustable brass nozzle	
		Brass pump with hydraulic agitator	
		Net weight 3,6 kg approx	
Pressure 6 bar			
78SF	Knapsack sprayer with brass pump and Sfera/Get lance	Available with various lance models	1
		Right- or left-handed sprayer	
		Suitable for gardening and agriculture	
		Adjustable shoulder straps with support	
		FPM special gaskets	
		Suitable for use with pesticides, as per regulation ISO 19932 [using 166RPK and 168RPK kit]	

78PKBLIS	Spare part kit for plastic knapsack sprayer - Blister	5
78TKBLIS	Spare part kit for brass knapsack sprayer - Blister	5

167RPK	Pressure regulator kit and Click/Get lance for Uni, Record	1
168RPK	Pressure regulator kit and Stella/Get lance for Uni, Record	1

Packing

Q.ty: 1 pc
 Dim.: 12L 45x15x58 cm / 15L 45x19x58 cm
 Weight: 12L Plastic 4 Kg / 12L Brass 4,1 Kg
 15L Plastic 4,1 Kg / 15L Brass 4,2 Kg

Q.ty: 12L 40 pcs / 15L 32 pcs

RECORD



Gardening
Disinfestation



HYDRAULIC
SYSTEM OF
CONTINUOUS
MIXING IN
THE TANK



MODEL WITH
PLASTIC PUMP

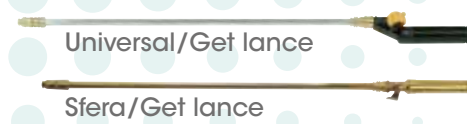
MODEL WITH
BRASS PUMP

CAP FIXING
SYSTEM

METAL
CONTROL LEVER

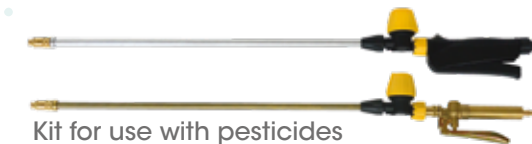
ERGONOMIC
TANK

SHOULDER
STRAP



Universal/Get lance

Sfera/Get lance



Kit for use with pesticides
(Uni, Record)



Technical features RECORD (Plastic pump)

CODE	DESCRIPTION	FEATURES	Q.TY
95PUG	Knapsack sprayer with plastic pump and Universal/Get lance	Total tank capacity 20 lt	1
		1,5 mt flexible hose	
		HD polyethylene anatomical tank	
		Lance with adjustable brass nozzle	
		High volume plastic pump with hydraulic agitator	
		Net weight 3,9 kg approx	
95PSF	Knapsack sprayer with plastic pump and Sfera/Get lance	Pressure 6 bar	1
		Available with various lance models	
		Right- or left-handed sprayer	
		Suitable for gardening and agriculture	
		Adjustable shoulder straps with support	
		NBR gaskets	
		Suitable for use with pesticides, as per regulation ISO 19932 [using 166RPK and 168RPK kit]	
167RPK	Pressure regulator kit and Click/Get lance for Uni, Record, Super	1	
168RPK	Pressure regulator kit and Stella/Get lance for Uni, Record, Super	1	

Technical features RECORD (Brass pump)

CODE	DESCRIPTION	FEATURES	Q.TY
95UG FPM	Knapsack sprayer with brass pump and Universal/Get lance	Total tank capacity 20 lt	1
		1,5 mt flexible hose	
		HD polyethylene anatomical tank	
		Lance with adjustable brass nozzle	
		High volume brass pump with hydraulic agitator	
		Net weight 4,4 kg approx	
95SF FPM	Knapsack sprayer with brass pump and Sfera/Get lance	Pressure 6 bar	1
		Available with various lance models	
		Right- or left-handed sprayer	
		Suitable for gardening and agriculture	
		Adjustable shoulder straps with support	
		FPM special gaskets	
		Suitable for use with pesticides, as per regulation ISO 19932 [using 166RPK and 168RPK kit]	
167RPK	Pressure regulator kit and Click/Get lance for Uni, Record	1	
168RPK	Pressure regulator kit and Stella/Get lance for Uni, Record	1	

Packing



Q.ty: 1 pc
Dim.: 45x20x60 cm
Weight: 4,8 Kg



Q.ty: 32 pcs

Spare parts pag 102

ELETTROLITHIUM



Gardening
Disinfestation



ADJUSTABLE
BRASS NOZZLE

BRASS AND ALUMINIUM
TELESCOPIC LANCE
FROM 55 TO 100 CM

SHOULDER STRAP
AND BACKREST

ERGONOMIC
HANDLE
EQUIPPED WITH
MANOMETER



PRACTICAL
HANDLE
FOR TRANSPORT



CAP FIXING
SYSTEM



HYDRAULIC
SYSTEM OF
CONTINUOUS
MIXING IN
THE TANK



BRASS PRESSURE
REGULATOR



GENERAL ON-OFF SWITCH
AND FUSE HOLDER



Technical features ELETTROLITHIUM

CODE	DESCRIPTION	FEATURES	QUANTITY
10PELIT	Electric knapsack sprayer with piston pump	High performance stainless steel electric piston pump with sphere valves	1
		Sturdy and ergonomic handle with manometer protected from impact	
	15L	Rechargeable 12V 8A lithium battery and 1,8A battery charger included	
		Telescopic lance from 55 to 100 cm equipped with electric control handle and manometer	
		Adjustable shoulder straps and padded backrest	
		Adjustable brass nozzle and fan nozzle	
		Pressure from 0,5 to 5,5 bar	

Spare parts pag 103

Packing



Q.ty: 1 pc
Dim.: 44x21x56 cm
Weight: 6 Kg



Q.ty: 30 pcs

ELETTROLITHIUM WITH TROLLEY



Gardening
Disinfestation



METAL
TROLLEY




PRACTICAL
HANDLE
FOR
TRANSPORT



STURDY
AND BIG
WHEELS



Technical features **ELETTROLITHIUM** with trolley

CODE	DESCRIPTION	FEATURES	QUANTITY
10PTCLIT	Electric knapsack sprayer with piston pump and trolley 	High performance stainless steel electric piston pump with sphere valves	1
		Hydraulic mixing system	
		Sturdy metal trolley for transport	
		Sturdy and ergonomic handle with manometer protected from impact	
		Rechargeable 12 V lithium battery and 8A battery charger included	
		Telescopic lance from 55 to 100 cm equipped with electric control handle and manometer	
		Adjustable brass nozzle and fan nozzle	
		Pressure from 0,5 to 5,5 bar	
	2,5 mt flexible hose		
20CPE	"Porter" trolley for electric sprayer		1
10K6	Handle kit, manometer and hose of 2,5 mt		1

Spare parts pag 104

Packing



Q.ty: 1 pc + 1 pc
Dim.: 44x21x56 cm + 56x30x18 cm
Weight: 6 kg + 6,65 kg



Q.ty: 16 pcs

ELETTROLITHIUM WITH TROLLEY AND HERBICIDE BAR



METAL TROLLEY



PRACTICAL HANDLE FOR TRANSPORT



FAN NOZZLE FOR HERBICIDE



STURDY AND BIG WHEELS



Technical features ELETTROLITHIUM with trolley and herbicide bar

CODE	DESCRIPTION	FEATURES	QUANTITY
10PTBLIT	Electric sprayer with piston pump with trolley and herbicide bar with 4 nozzles 120 cm each	High performance stainless steel electric piston pump with sphere valves	1
		Sturdy metal trolley with adjustable herbicide bar	
		Hydraulic mixing system	
		Maximum width of herbicide bar 180 cm	
		Connection hose	
		Extractable filter inside the tank	
		4 fan nozzles	
		Rechargeable 12 V lithium battery and 8A battery charger included	
		Suitable for weed control	
20CPEK7	Herbicide bar kit Ø10 - 4 nozzles		1
20CPEK5	Frame kit- screws- hose holder for herbicide bar		1

15L

Spare parts pag 105

Packing



Q.ty: 1 pc + 1 pc
Dim.: 44x21x56 cm + 56x30x18 cm
Weight: 6 kg + 6,85 kg



Q.ty: 16 pcs

SV 80



Gardening Disinfestation



TUBE END WITH POWDER SPREADER



METAL STRUCTURE



Technical features SV 80

CODE	DESCRIPTION	FEATURES	QUANTITY
SV	Manual knapsack duster 6 Kg	Painted steel frame 5 position powder regulator HD polyethylene tank Delivery hose Tank capacity 6 kg Extension pole Double-acting piston Powder spreader Right- or left- handed machine Net weight 6,5 kg approx Rotary disc grinder unit Suitable for distributing powder in agriculture	1

Spare parts pag 106

Packing



Q.ty: 1 pc
Dim.: 47x36x64 cm
Weight: 8,4 Kg



Q.ty: 15 pcs

DINAMICA



Gardening
Disinfestation



LEVER FOR POWDER
SPREADING
REGULATION



ON-OFF
SWITCH



FUSE HOLDER FOR
THE ELECTRIC
PROTECTION
OF THE MACHINE

Technical features DINAMICA

CODE	DESCRIPTION	FEATURES	QUANTITY
SVE	Electric knapsack duster 6 Kg	Tank capacity 6 kg	1
		5 position powder regulator lever	
		HD polyethylene anatomic frame	
		Mechanical mixing system	
		Optimal weight distribution	
		Peak air flow rate 28 lt/s	
		Adjustable shoulder straps with support	
		Peak powder flow rate 0,3 kg/min	
		Centrifugal impeller with powder falling vertically	
		Delivery hose	
		Electric motor	
		Extension tube	
		Technical housing separate from machine body	
		Powder spreader	
		Rechargeable 12V 8A lithium battery	
		Net weight 8 kg approx	
		Battery charger	
		Suitable for distributing powder in agriculture	

Spare parts pag 107

Packing



Q.ty: 1 pc
Dim.: 45x36x64 cm
Weight: 8,2 Kg



Q.ty: 15 pcs

EOLO



Gardening
Disinfestation



TUBE END WITH
POWDER SPREADER

MISTRAL



Gardening
Disinfestation



TUBE END WITH
POWDER SPREADER

Technical features EOLO

CODE	DESCRIPTION	FEATURES	QUANTITY
1512	Plastic powder bellows	Plastic bellows	6
		Net weight 0,16 kg approx	
		Tank capacity 0,6 kg	
		Suitable for distributing small quantities of powder	
		Straight tube and powder spreader	

Packing



Q.ty: 6 pcs
Dim.: 14x21x31 cm
Weight: 1,1 Kg



Q.ty: 720 pcs

Technical features MISTRAL

CODE	DESCRIPTION	FEATURES	QUANTITY
18	Plastic powder bellows	Plastic bellows	6
		Extension tube and powder spreader	
		Tank capacity 1,5 kg	
		Net weight 0,75 kg approx	
		Grinder	
		Suitable for distributing powder in agriculture	

Packing



Q.ty: 6 pcs
Dim.: 80x30x36 cm
Weight: 5 Kg



Q.ty: 120 pcs

Spare parts pag 108


PALLBOX DISPLAY



CODE	DESCRIPTION	QUANTITY
PBX3346	Pallbox display box in four colours for DEA sprayers 2 lt with polyethylene tank (art. 3346)	1
	Containing 80 pcs	
PBX3346T	Pallbox display box in four colours for DEA sprayers 2 lt with transparent tank (art. 3346T)	1
	Containing 80 pcs	
PBX3346F	Pallbox display box in four colours for DEA Reverse sprayers 2 lt with polyethylene tank	1
	Containing 80 pcs	
PBX3346TF	Pallbox display box in four colours for DEA Reverse sprayers 2 lt with transparent tank	1
	Containing 80 pcs	

 Q.ty: 80 pcs
Dim.: 60x80x137 cm


CODE	DESCRIPTION	QUANTITY
BOX3346	Pallbox display box in four colours for DEA sprayers 2 lt with polyethylene tank (art. 3346)	1
	Containing 24 pcs	
BOX3346T	Pallbox display box in four colours for DEA sprayers 2 lt with transparent tank (art. 3346T)	1
	Containing 24 pcs	
BOX3346F	Pallbox display box in four colours for DEA Reverse sprayers 2 lt with polyethylene tank	1
	Containing 24 pcs	
BOX3346TF	Pallbox display box in four colours for DEA Reverse sprayers 2 lt with transparent tank	1
	Containing 24 pcs	

 Q.ty: 24 pcs
Dim.: 40x40x96 cm
Weight: 12 Kg


 Q.ty: 288 pcs

CODE	DESCRIPTION	QUANTITY
PBX3350A	Pallbox display box in four colours for GARDEN sprayers 4 lt with Rapid/Get lance (art. 3350A)	1
	Containing 26 pcs	
PBX3350B	Pallbox display box in four colours for GARDEN sprayers 6 lt with Rapid/Get lance (art. 3350B)	1
	Containing 26 pcs	
PBX3350C	Pallbox display box in four colours for GARDEN sprayers 8 lt with Rapid/Get lance (art. 3350C)	1
	Containing 22 pcs	

 (3350A - 3350B) Q.ty: 26 pcs
in single packaging in four colours
Dim.: 60x80x144 cm

 (3350C) Q.ty: 22 pcs
in single packaging in four colours
Dim.: 60x80x144 cm

CODE	DESCRIPTION	QUANTITY
PBX81PUG	Pallbox display box in four colours for UNI knapsack sprayers with plastic pump 12 lt (art. 81PUG)	1
	Containing 15 pcs	

 (81PUG) Q.ty: 15 pcs
in single packaging in four colours
Dim.: 60x80x144 cm

V.BLACK

HOME & HOBBY SPRAYING LINE



The complete spraying line
of manual and electric sprayers
for domestic use, ideal for home and gardening.

V.BLACK SMART



TELESCOPIC LANCE



LANCE SUPPORT



ADJUSTABLE SHOULDER STRAP



MICRO USB PLUG IN AND LED CHARGE INDICATOR

HANDLE WITH ON-OFF SWITCH



FILTER FOR PUMP PROTECTION



Technical features V.BLACK SMART

CODE	DESCRIPTION	FEATURES	QUANTITY
19SME	Electric sprayer with rechargeable lithium battery	Total tank capacity 5 lt	1
		Polypropylene tank	
		Rechargeable lithium battery 3,7 V - 2,6 A - 9,62 W	
		Operating time of the battery: up to 2,5h	
		Stainless steel telescopic lance	
		Adjustable nozzle for spraying	
		LED charge indicator	
		Adjustable shoulder strap	
		Micro USB plug in	
		NBR gaskets	
		High performance diaphragm pump	
		Delivery hose length - 1,5 m	
		Filling diameter 35 mm	
		Temperature Min./Max. 5° C / 40° C	
		Operating capacity with 1 battery charge - up to 8 lt	

5L

Packing



Q.ty: 1 pc
Dim.: 26x19x45 cm
Weight: 1,70 Kg

6 pcs
80x40x48 cm
11,40 Kg



Q.ty: 72 pcs

Spare parts pag 109

V.BLACK KOMPRESS



Gardening
Disinfestation



ERGONOMIC
HANDLE

PUMPING
HANDLE

OPTIONAL

ELECTRIC PUMP EQUIPPED
WITH DIAPHRAGM PUMP AND
RECHARGEABLE LITHIUM BATTERY

PRESSURE
DISCHARGE VALVE

ALUMINIUM
LANCE

ADJUSTABLE
SHOULDER STRAP



Technical features V.BLACK KOMPRESS

CODE	DESCRIPTION	FEATURES	QUANTITY
19KPR	Pre compression manual sprayer	Total tank capacity 6 lt	1
		Polypropylene tank	
		Curved aluminium lance 400 mm	
		Standard secure valve	
		Click Get handle	
		Adjustable nozzle for spraying	
		Adjustable shoulder strap	
		NBR gaskets	
		Delivery hose length - 1,2 m	
		Filling diameter 60mm	
		Temperature Min./Max. 5° C / 40° C	

6L

Spare parts pag 110

Accessories V.BLACK KOMPRESS

19PREKT	Electric pump equipped with diaphragm pump, rechargeable lithium battery, with USB cable and battery charger	1
---------	--	---

Packing



Q.ty: 1 pc
Dim.: 24x24x48 cm
Weight: 1,85 Kg



Q.ty: 60 pcs

V.BLACK KOMPRESS WITH ATOMIZATION KIT



Gardening Disinfestation



ELECTRIC PUMP EQUIPPED WITH DIAPHRAGM PUMP AND RECHARGEABLE LITHIUM BATTERY



PUMPING HANDLE



OPTIONAL

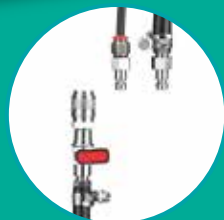


PRESSURE DISCHARGE VALVE

ATOMIZATION KIT



ADJUSTABLE SHOULDER STRAP



QUICK COUPLING



ALUMINIUM LANCE (SUPPLIED)



Technical features V.BLACK KOMPRESS with Atomization Kit

CODE	DESCRIPTION	FEATURES	QUANTITY
20KAT	<p>Compression sprayer V.Black Kompres + Atomization kit for blower</p> <p>6L</p>	<ul style="list-style-type: none"> Total tank capacity 6 lt Polypropylene tank Curved aluminium lance 400 mm Standard secure valve Atomization kit Adjustable nozzle for spraying Adjustable shoulder strap NBR gaskets Delivery hose length - 1,2 m Filling diameter 60 mm Temperature Min./Max. 5° C / 40° C 	1

Spare parts pag 110

Accessories V.BLACK KOMPRESS with Atomization Kit

19PREKT	Electric pump equipped with diaphragm pump, rechargeable lithium battery, with USB cable and battery charger	1
---------	--	---

Packing



Q.ty: 1 pc
Dim.: 24x24x48 cm
Weight: 1,85 Kg



Q.ty: 60 pcs

V.BLACK PROTON



HANDLE WITH ON-OFF SWITCH

MICRO USB PLUG IN



LED CHARGE INDICATOR



ADJUSTABLE SHOULDER STRAP



ALUMINIUM LANCE



Technical features V.BLACK PROTON

CODE	DESCRIPTION	FEATURES	QUANTITY
19PRE	Pre compression electric sprayer with rechargeable lithium battery	Total tank capacity 7 lt	1
		Polypropylene tank	
		Rechargeable lithium battery 7,4 V - 2,6 A - 19,24 W	
		Operating time of the battery: up to 2,5 h	
		Curved aluminium lance 400 mm	
		Standard pressure kit	
		Click Get handle	
		Adjustable nozzle for spraying	
		LED charge indicator	
		Adjustable shoulder strap	
		Micro USB plug in	
		NBR gaskets	
		High performance diaphragm pump	
		Delivery hose length - 1,2 m	
		Filling diameter 60 mm	
		Temperature Min./Max. 5° C / 40° C	
		Operating capacity with 1 battery charge - up to 100 lt	



Spare parts pag 111

Packing



Q.ty: 1 pc
Dim.: 24x24x57 cm
Weight: 2,45 Kg



Q.ty: 56 pcs

V.BLACK ELEKTRON



Gardening
Disinfestation



ERGONOMIC
HANDLE



FILLING DIAMETER
Ø105 MM



PADDED
ADJUSTABLE
SHOULDER STRAP



ELECTRIC PRESSURE
REGULATOR AND
VOLTMETER



ADJUSTABLE BRASS NOZZLE
OR FAN NOZZLE



STAINLESS
STEEL LANCE



CLICK GET
HANDLE

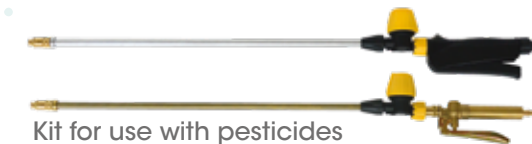


RECHARGABLE
LITHIUM BATTERY



Universal/Get lance

Sfera/Get lance



Kit for use with pesticides



Technical features V.BLACK ELEKTRON

CODE	DESCRIPTION	FEATURES	QUANTITY
19VBE	Electric sprayer with rechargeable lithium battery	Total tank capacity 12 lt	1
		Polypropylene tank	
		Rechargeable lithium battery 12 V DC 6 A 72 Watt	
	12L	Operating capacity of the battery for spraying 2 bar - up to 9h	
		Operating capacity of the battery for herbicide 0,5 bar - up to 15 h	
		Voltmeter	
		Adjustable brass nozzle	
		Fan brass nozzle	
		Padded adjustable shoulder strap	
		NBR gaskets	
		Net weight of the sprayer with battery approx 3,5 kg	
		Adjustable operating pressure 0,5 ÷ 5 Bar - 7,25 ÷ 7,5 psi	
		High performance diaphragm pump	
		Filling diameter 105 mm	
		Temperature Min./Max. 5° C / 40° C	
		Option to fit a manometer	
		Operating capacity with 1 battery charge with pressure 0,5 bar - up to 576 lt	
		Suitable for use with pesticides, as per regulation ISO 19932 [using 166RPK and 168RPK kit]	

Spare parts pag 112

Packing



Q.ty: 1 pc
Dim.: 35x23x58 cm
Weight: 4,4 Kg



Q.ty: 35 pcs

V.BLACK ELEKTRON WITH TROLLEY



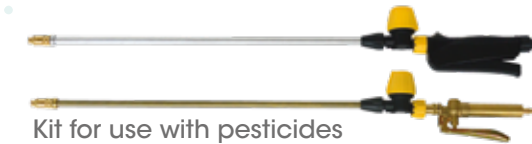
ERGONOMIC HANDLE



METAL TROLLEY



STURDY AND BIG WHEELS



Technical features V.BLACK ELEKTRON with trolley

CODE	DESCRIPTION	FEATURES	QUANTITY
19VBECAR	Electric sprayer with rechargeable lithium battery and practical trolley	Total tank capacity 12 lt	1
		Polypropylene tank	
		Rechargeable lithium battery 12 V DC 6 A 72 Watt	
	12L	Operating capacity of the battery for spraying 2 bar - up to 9h	
		Operating capacity of the battery for herbicide 0,5 bar - up to 15 h	
		Voltmeter	
		Adjustable brass nozzle	
		Fan brass nozzle	
		Padded adjustable shoulder strap	
		NBR gaskets	
		Net weight of the sprayer with battery approx 3,5 kg	
		Adjustable operating pressure 0,5 ÷ 5 Bar - 7,25 ÷ 7,5 psi	
		High performance diaphragm pump	
		Filling diameter 105 mm	
		2,0 mt flexible hose	
		Temperature Min./Max. 5° C / 40° C	
		Option to fit a manometer	
		Operating capacity with 1 battery charge with pressure 0,5 bar - up to 576 lt	
		Suitable for use with pesticides, as per regulation ISO 19932 [using 166RPK and 168RPK kit]	

Spare parts pag 113

Packing



Q.ty: 1 pc + 1 pc
Dim.: 35x23x58 cm + 56x30x18 cm
Weight: 4,4 kg + 6,65 kg



Q.ty: 20 pcs

V.BLACK ELEKTRON WITH TROLLEY AND HERBICIDE BAR



METAL TROLLEY



ERGONOMIC HANDLE



FAN NOZZLE FOR HERBICIDE



STURDY AND BIG WHEELS



Technical features V.BLACK ELEKTRON with trolley and herbicide bar

CODE	DESCRIPTION	FEATURES	QUANTITY
19VBECEB	Electric sprayer with rechargeable lithium battery, practical trolley and herbicide bar with 4 nozzles 120 cm	<ul style="list-style-type: none"> Total tank capacity 12 lt Polypropylene tank Rechargeable lithium battery 12 V DC 6 A 72 Watt Operating capacity of the battery for herbicide 0,5 bar - up to 15 h Voltmeter Maximum width of herbicide bar 180 cm Connection hose pump / bar Extractable filter inside the tank 4 fan nozzles NBR gaskets Net weight of the sprayer with battery approx 3,5 kg Adjustable operating pressure 0,5 ÷ 5 Bar - 7,25 ÷ 7,5 psi High performance diaphragm pump Filling diameter 105 mm Temperature Min./Max. 5° C / 40° C Option to fit a manometer Operating capacity with 1 battery charge with pressure 0,5 bar - up to 576 lt 	1

Spare parts pag 114

Packing



Q.ty: 1 pc + 1 pc
Dim.: 35x23x58 cm + 56x30x18 cm
Weight: 4,4 kg + 6,85 kg



Q.ty: 20 pcs

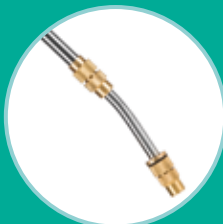
V.BLACK E-PRO 16



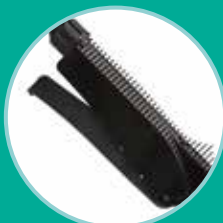
INTERCHANGEABLE NOZZLES KIT



STAINLESS STEEL TELESCOPIC LANCE



STANDARD MANOMETER



ERGONOMIC HANDLE



REPLACEABLE BATTERY

PADDED BACKREST AND PADDED ADJUSTABLE SHOULDER STRAP



REVERSIBLE KNAPSACK FOR LEFT-HANDED

ELECTRONIC PRESSURE REGULATOR AND LED INDICATOR FOR BATTERY LEVEL



Universal/Get lance
Sfera/Get lance

Kit for use with pesticides



Technical features V.BLACK E-PRO 16

CODE	DESCRIPTION	FEATURES	QUANTITY
20VBE	Electric sprayer with rechargeable lithium battery	Total tank capacity 16 lt Polypropylene tank Rechargeable lithium battery 12 V - 8 A - 96 W Operating capacity of the battery for spraying 2 bar - up to 9h Operating capacity of the battery for herbicide 0,5 bar - up to 15 h Adjustable brass nozzle Fan brass nozzle Padded adjustable shoulder strap and padded backrest NBR gaskets Net weight of the sprayer with battery approx 4,0 kg Adjustable operating pressure 0,5 ÷ 5 Bar - 7,25 ÷ 7,5 psi High performance diaphragm pump Filling diameter 105 mm Temperature Min./Max. 5° C / 40° C Standard manometer Operating capacity with 1 battery charge - up to 300 lt Suitable for use with pesticides, as per regulation ISO 19932 [using 166RPK and 168RPK kit]	1

Packing



Q.ty: 1 pc
Dim.: 40x25x65 cm
Weight: 5,25 Kg



Q.ty: 21 pcs

Spare parts pag 115

V.BLACK E-PRO 16 WITH TROLLEY



METAL TROLLEY

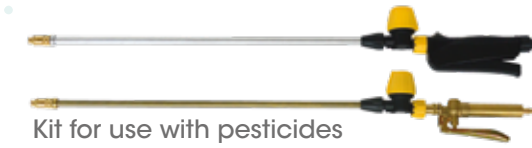
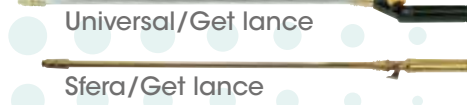
ERGONOMIC HANDLE



PADDED BACKREST AND PADDED ADJUSTABLE SHOULDER STRAP



STURDY AND BIG WHEELS



Technical features V.BLACK E-PRO 16 with trolley

CODE	DESCRIPTION	FEATURES	QUANTITY
20VBECAR	Electric sprayer with rechargeable lithium battery and practical trolley	Total tank capacity 16 lt Polypropylene tank Rechargeable lithium battery 12 V - 8 A - 96 W Operating capacity of the battery for spraying 2 bar - up to 9h Operating capacity of the battery for herbicide 0,5 bar - up to 15 h Adjustable brass nozzle Fan brass nozzle Padded backrest NBR gaskets Net weight of the sprayer with battery approx 4,0 kg Adjustable operating pressure 0,5 ÷ 5 Bar - 7,25 ÷ 7,5 psi High performance diaphragm pump Filling diameter 105 mm 2,0 mt flexible hose Temperature Min./Max. 5° C / 40° C Standard manometer Operating capacity with 1 battery charge - up to 300 lt Suitable for use with pesticides, as per regulation ISO 19932 [using 166RPK and 168RPK kit]	1

Packing



Q.ty: 1+1 pc
Dim.: 40x25x65 cm + 56x30x18 cm
Weight: 5,25 Kg + 6,65 kg



Q.ty: 10 pcs

Spare parts pag 116

V.BLACK E-PRO 16

WITH TROLLEY AND HERBICIDE BAR

LITHIUM BATTERY

Gardening
Disinfestation



METAL TROLLEY

ERGONOMIC HANDLE



FAN NOZZLE FOR HERBICIDE



STURDY AND BIG WHEELS



Technical features V.BLACK E-PRO 16 with trolley and herbicide bar

CODE	DESCRIPTION	FEATURES	Q.TY
20VBECEB	Electric sprayer with rechargeable lithium battery, practical trolley and herbicide bar with 4 nozzles 120 cm	<ul style="list-style-type: none"> Total tank capacity 16 lt Polypropylene tank Rechargeable lithium battery 12 V - 8 A - 96 W Operating capacity of the battery for herbicide 0,5 bar - up to 15 h Maximum width of herbicide bar 180 cm Connection hose pump / bar Extractable filter inside the tank 4 fan nozzles NBR gaskets Net weight of the sprayer with battery approx 4,0 kg Adjustable operating pressure 0,5 ÷ 5 Bar - 7,25 ÷ 7,5 psi High performance diaphragm pump Filling diameter 105 mm Temperature Min./Max. 5° C / 40° C Standard manometer Operating capacity with 1 battery charge - up to 300 lt 	1

Packing



Q.ty: 1+1 pc
Dim.: 40x25x65 cm + 56x30x18 cm
Weight: 5,25 Kg + 6,85 kg



Q.ty: 10 pcs

Spare parts pag 117

V.BLACK KOMFORT



MODEL WITH
BRASS PUMP



PRACTICAL HANDLE
FOR TRANSPORT

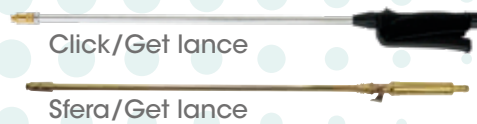
ALUMINIUM/BRASS
LANCE



METAL
CONTROL
LEVER



HYDRAULIC
SYSTEM OF
CONTINUOUS
MIXING
IN THE TANK



Technical features KOMFORT 12Lt (Plastic pump)

CODE	DESCRIP.	FEATURES	Q.TY
9112KPC	Knapsack sprayer with plastic pump	Total tank capacity 12 lt HD polyethylene tank 700 mm aluminium lance Click Get lever handle Adjustable nozzle for spraying Adjustable shoulder strap NBR gaskets Delivery hose lenght - 1,2 m Filling diameter 115 mm Temper. min. / max. 5° C / 40° C Suitable for use with pesticides, as per regulation ISO 19932 [using 166RPK and 168RPK kit]	1

Technical features KOMFORT 12Lt (Brass pump)

CODE	DESCRIP.	FEATURES	Q.TY
9112KOS	Knapsack sprayer with brass pump	Total tank capacity 12 lt HD polyethylene tank 700 mm brass lance Brass handle with sphere valve Adjustable nozzle for spraying Adjustable shoulder strap NBR gaskets Delivery hose lenght - 1,2 m Filling diameter 115 mm Temper. min. / max. 5° C / 40° C Suitable for use with pesticides, as per regulation ISO 19932 [using 166RPK and 168RPK kit]	1

Technical features KOMFORT 16Lt (Plastic pump)

CODE	DESCRIP.	FEATURES	Q.TY
9116KPC	Knapsack sprayer with plastic pump	Total tank capacity 16 lt HD polyethylene tank 700 mm aluminium lance Click Get lever handle Adjustable nozzle for spraying Adjustable shoulder strap NBR gaskets Delivery hose lenght - 1,2 m Filling diameter 115 mm Temper. min. / max. 5° C / 40° C Suitable for use with pesticides, as per regulation ISO 19932 [using 166RPK and 168RPK kit]	1

Technical features KOMFORT 16Lt (Brass pump)

CODE	DESCRIP.	FEATURES	Q.TY
9116KOS	Knapsack sprayer with brass pump	Total tank capacity 16 lt HD polyethylene tank 700 mm brass lance Brass handle with sphere valve Adjustable nozzle for spraying Adjustable shoulder strap NBR gaskets Delivery hose lenght - 1,2 m Filling diameter 115 mm Temper. min. / max. 5° C / 40° C Suitable for use with pesticides, as per regulation ISO 19932 [using 166RPK and 168RPK kit]	1

Packing



Q.ty: 1 pc
Dim.: 12Lt 45x15x57 cm / 16Lt 45x19x57 cm
Weight: 12Lt Plastic 3,40 Kg / 12Lt Brass 3,70 Kg
16Lt Plastic 3,65 Kg / 16Lt Brass 3,90 Kg



Q.ty: 12Lt 40 pcs / 16Lt 32 pcs

VOLPITECH

SPRAYING LINE FOR INDUSTRIAL USE AND SANIFICATION

LEGEND SPECIAL GASKETS



Fields of application

- CLEANING
- CAR WASH
- DISINFECTION

Chemical products used:

- ALKALINE CLEANERS
- ALCOHOL
- DISINFECTANT
- DILUTED ALKALINE PRODUCTS

Hydrochloric acid 20%
Ethyl alcohol
Bleach 0,5%
Cleaners
Synthetic oils
Caustic soda
Amuchina
Ammoniac 10%
Acetone



Fields of application

- CLEANING
- CONSTRUCTION
- INDUSTRY

Chemical products used:

- FUELS
- RELEASE AGENTS
- IMPREGNATING AGENTS
- LUBRICANT OILS
- DILUTED ACID PRODUCTS

Hydrochloric acid 20%
Ethyl alcohol
Bleach 0,5%
Cleaners
Hydraulic oils
Synthetic oils
Caustic soda
Amuchina



A range of sprayers designed and manufactured with special components resistant to aggressive chemical solutions. Gaskets in FPM and EPDM are used according to the required application field. Volpitech sprayers are indicated for disinfection and industrial use with aggressive chemical products.



VOLPITECH 1



Industrial use





Gardening
Disinfestation



ERGONOMIC HANDLE



Technical features VOLPITECH 1

CODE	DESCRIPTION	FEATURES	QUANTITY
VT1	Hand-held sprayer with FPM gaskets	Tank capacity 1 lt	25
		FPM special gaskets	
		Polyethylene tank	
		Adjustable nozzle	
		Operating capacity 1,3 ml	
		Net weight 0,10 kg approx	
		Ergonomic handle	
		Suitable for spraying aggressive products (see table pag. 58)	

Packing



Q.ty: 25 pcs
Dim.: 38x32x47 cm
Weight: 3,25 Kg



Q.ty: 750 pcs

VOLPITECH 2



Industrial use



Gardening Disinfestation



ERGONOMIC HANDLE

CONTAINER IN POLYETHYLENE HD

FLEXIBLE AND ADJUSTABLE EXTENSION

ADJUSTABLE NOZZLE IN ANY DIRECTION

PRESSURE DISCHARGE VALVE



VT2KBLIS



VT2EKBLIS

Technical features VOLPITECH 2 (with FPM gaskets)

CODE	DESCRIPTION	FEATURES	QUANTITY
VT2 	Compression sprayer with FPM gaskets, adjustable nozzle and pressure discharge valve 	Total tank capacity 2 lt	10
		FPM special gaskets	
		Operating capacity 1,8 lt	
		Adjustable polypropylene nozzle can be aimed in any direction	
		HD polyethylene tank	
		Pressure discharge valve	
		Pressure 2 bar	
		Net weight 0,5 kg approx	
		Ergonomic handle	
Suitable for spraying aggressive products (see table pag. 58)			
VT2KBLIS	First use spare part kit with FPM gaskets - BLISTER		1
3346PV	Flexible extension with PP nozzle		1

Technical features VOLPITECH 2 (with EPDM gaskets)

CODE	DESCRIPTION	FEATURES	QUANTITY
VT2E 	Compression sprayer with EPDM gaskets, adjustable nozzle and pressure discharge valve 	Total tank capacity 2 lt	10
		EPDM special gaskets	
		Operating capacity 1,8 lt	
		Adjustable polypropylene nozzle can be aimed in any direction	
		HD polyethylene tank	
		Pressure discharge valve	
		Pressure 2 bar	
		Net weight 0,5 kg approx	
		Ergonomic handle	
Suitable for spraying aggressive products (see table pag. 58)			
VT2EKBLIS	First use spare part kit with EPDM gaskets - BLISTER		1
3346PV	Flexible extension with PP nozzle		1

Packing



Q.ty: 10 pcs
Dim.: 38x32x48 cm
Weight: 5,1 Kg



Q.ty: 300 pcs

VOLPITECH 6



Industrial use



Gardening
Disinfestation



VT6KBLIS



VT6EKBLS

Technical features VOLPITECH 6 (with FPM gaskets)

CODE	DESCRIPTION	FEATURES	QUANTITY
VT6 	Compression sprayer with FPM gaskets and plastic lance 	Total tank capacity 6,6 lt 1,2 mt flexible hose Operating capacity 6 lt Lance with adjustable polypropylene nozzle HD polyethylene tank Pressure discharge valve Plastic pump Net weight 2 kg approx Pressure 3 bar Option to fit a manometer Adjustable shoulder strap and handle Suitable for spraying aggressive products (see table pag. 58) FPM special gaskets	1
VT6KBLIS	First use spare part kit with FPM gaskets - Blister		1
3350M	Additional manometer with fitting		1

Technical features VOLPITECH 6 (with EPDM gaskets)

CODE	DESCRIPTION	FEATURES	QUANTITY
VT6E 	Compression sprayer with EPDM gaskets and plastic lance 	Total tank capacity 6,6 lt 1,2 mt flexible hose Operating capacity 6 lt Lance with adjustable polypropylene nozzle HD polyethylene tank Pressure discharge valve Plastic pump Net weight 2 kg approx Pressure 3 bar Option to fit a manometer Adjustable shoulder strap and handle Suitable for spraying aggressive products (see table pag. 58) EPDM special gaskets	1
VT6EKBLS	First use spare part kit with EPDM gaskets - Blister		1
3350M	Additional manometer with fitting		1

Spare parts pag 120

Packing



Q.ty: 1 pc
Dim.: 20x20x51cm
Weight: FPM 2,2 Kg / EPDM 2,2 Kg



Q.ty: 80 pcs

VOLPITECH 7



Industrial use



Gardening Disinfestation



ERGONOMIC HANDLE WITH ON/OFF SWITCH



MICRO USB WITH PLUG IN



LED CHARGE INDICATOR





NYLON LANCE



ADJUSTABLE SHOULDER STRAP



Technical features VOLPITECH 7 (with FPM gaskets)

CODE	DESCRIPTION	FEATURES	QUANTITY
VT7	Pre-compression electric sprayer with FPM gaskets and nylon lance 	Tank capacity 7 lt	1
		1,2 mt flexible hose	
	Diaphragm pump		
	Lance with adjustable polypropylene nozzle		
	Polypropylene tank		
	Pressure discharge valve		
	Equipped with pressure switch		
	Net weight 1,35 kg		
	Pressure 3 bar		
	Rechargeable lithium battery 7,4 V DC 2,6 A 19,24 Watt		
	Micro USB plug in		
	Operating time of the battery - up to 2,5 h		
Adjustable shoulder strap and handle			
Click handle			
Suitable for spraying aggressive products (see table pag. 58)			
FPM special gaskets			

Spare parts pag 121

Packing



Q.ty: 1 pc
Dim.: 24x24x57 cm
Weight: 2,45 Kg



Q.ty: 56 pcs

VOLPITECH 10



Industrial use



Gardening
Disinfestation



MANOMETER
(only on
model VT10M)



Ø41 PLASTIC PUMP
WITH PRACTICAL HANDLE
FOR TRANSPORT



PRESSURE
DISCHARGE
VALVE





VT6KBLIS





VT6EKBLS

Technical features VOLPITECH 10 (with FPM gaskets)

CODE	DESCRIPTION	FEATURES	QUANTITY
VT10 	Compression sprayer with FPM gaskets and plastic lance 	Total tank capacity 10,8 lt 1,2 mt flexible hose Operating capacity 10 lt Lance with adjustable polypropylene nozzle HD polyethylene tank Pressure discharge valve Plastic pump Net weight 2,5 kg approx Pressure 3 bar Also available with manometer Adjustable shoulder strap and handle Suitable for spraying aggressive products (see table pag. 58) FPM special gaskets	1
VT6KBLIS	First use spare part kit with FPM gaskets - Blister		1
VT10M	Compression sprayer with FPM gaskets, manometer and plastic lance		1

Technical features VOLPITECH 10 (with EPDM gaskets)

CODE	DESCRIPTION	FEATURES	QUANTITY
VT10E 	Compression sprayer with EPDM gaskets and plastic lance 	Total tank capacity 10,8 lt 1,2 mt flexible hose Operating capacity 10 lt Lance with adjustable polypropylene nozzle HD polyethylene tank Pressure discharge valve Plastic pump Net weight 2,5 kg approx Pressure 3 bar Option to fit a manometer Adjustable shoulder strap and handle Suitable for spraying aggressive products (see table pag. 58) EPDM special gaskets	1
VT6EKBLS	First use spare part kit with EPDM gaskets - Blister		1
VT10EM	Compression sprayer with EPDM gaskets, manometer and plastic lance		1

Spare parts pag 122

Packing



Q.ty: 1 pc
Dim.: 22x22x66cm
Weight: 2,9 Kg



Q.ty: 40 pcs

VOLPITECH 12



Industrial use



Gardening
Disinfestation



Ø52 PLASTIC PUMP



PRACTICAL HANDLE FOR TRANSPORT

METAL CONTROL LEVER



VT12KBLIS

Technical features **VOLPITECH 12** (with FPM gaskets)

CODE	DESCRIPTION	FEATURES	QUANTITY
VT12 	Knapsack sprayer with FPM gaskets and plastic lance 	Tank capacity 12 lt 1,2 mt flexible hose Lance with adjustable polypropylene nozzle HD polyethylene tank Plastic pump with hydraulic agitator Net weight 3,4 kg approx Pressure 6 bar Right- or left -handed sprayer Adjustable shoulder straps Suitable for spraying aggressive products (see table pag. 58) FPM special gaskets	1
VT12KBLIS	First use spare part kit with FPM gaskets - Blister		1

Spare parts pag 123

Packing



Q.ty: 1 pc
Dim.: 45x15x58 cm
Weight: 4,0 Kg



Q.ty: 40 pcs

MICRONIZERS



With their extraordinary system of weeding with pure or diluted herbicide at low water volume, VOLPI micronizers are the ideal solution for their quality, portability and user-friendliness.



JOLLY 5



 Gardening Disinfestation



POLYPROPYLENE ELBOWREST



HANDLE WITH SWITCH



DROPS Ø250 MICRON



MICRONIZER FOR DILUTED HERBICIDE



5 LT TANK FOR DILUTED HERBICIDE



OPTIONAL



OPTIONAL

RECHARGEABLE LITHIUM BATTERY KIT WITH CHARGER



Technical features JOLLY 5

CODE	DESCRIPTION	FEATURES	QUANTITY
M5V35	Electric micronizer with tank, fix pole and protective hood	<ul style="list-style-type: none"> To be used with herbicide diluted in water - low volume Operating angle adjustment Tank capacity 5 lt Coverage area Ø34 Gravity-fed product Operates with two 1,5V batteries for 40 hours approx Suitable for diluted herbicide widespread control Coverage area Ø34 cm 	5
M10V/01	OPTIONAL: rechargeable lithium battery kit with charger		1

Packing



Q.ty: 5 pcs
Dim.: 146x45x26 cm
Weight: 10 Kg



Q.ty: 80 pcs

Spare parts pag 124



POLYPROPYLENE
ELBOWREST



DROPS
Ø250 MICRON



HANDLE
WITH SWITCH



MICRONIZER FOR
DILUTED HERBICIDE



RECHARGEABLE LITHIUM BATTERY KIT
WITH CHARGER



OPTIONAL



10 LT TANK FOR
DILUTED HERBICIDE



5 LT TANK FOR
DILUTED HERBICIDE
(M5V MODEL)



M5V

M10V

Technical features JOLLY

CODE	DESCRIPTION	FEATURES	QUANTITY
M5V	Electric micronizer with tank and folding tube 5L	To be used with herbicide diluted in water - low volume	5
		Operating angle adjustment	
		Tank capacity 5 lt	
		Coverage area from Ø110 cm to Ø150 cm	
		Gravity-fed product	
		Operates with two 1,5V batteries for 40 hours approx	
		Suitable for diluted herbicide widespread control	
M10V	Electric micronizer with tank 10L	To be used with herbicide diluted in water - low volume	5
		Operating angle adjustment	
		Tank capacity 10 lt	
		Coverage area from Ø110 cm to Ø150 cm	
		Gravity-fed product	
		1,2 mt folding tube	
		Operates with two 1,5V batteries for 40 hours approx	
Suitable for diluted herbicide widespread control			
M10V/01	OPTIONAL: rechargeable lithium battery kit with charger	1	

Spare parts pag 125-126

Packing



Q.ty: 5 pcs
Dim.: 146x44x23 cm
Weight: 10,6 Kg

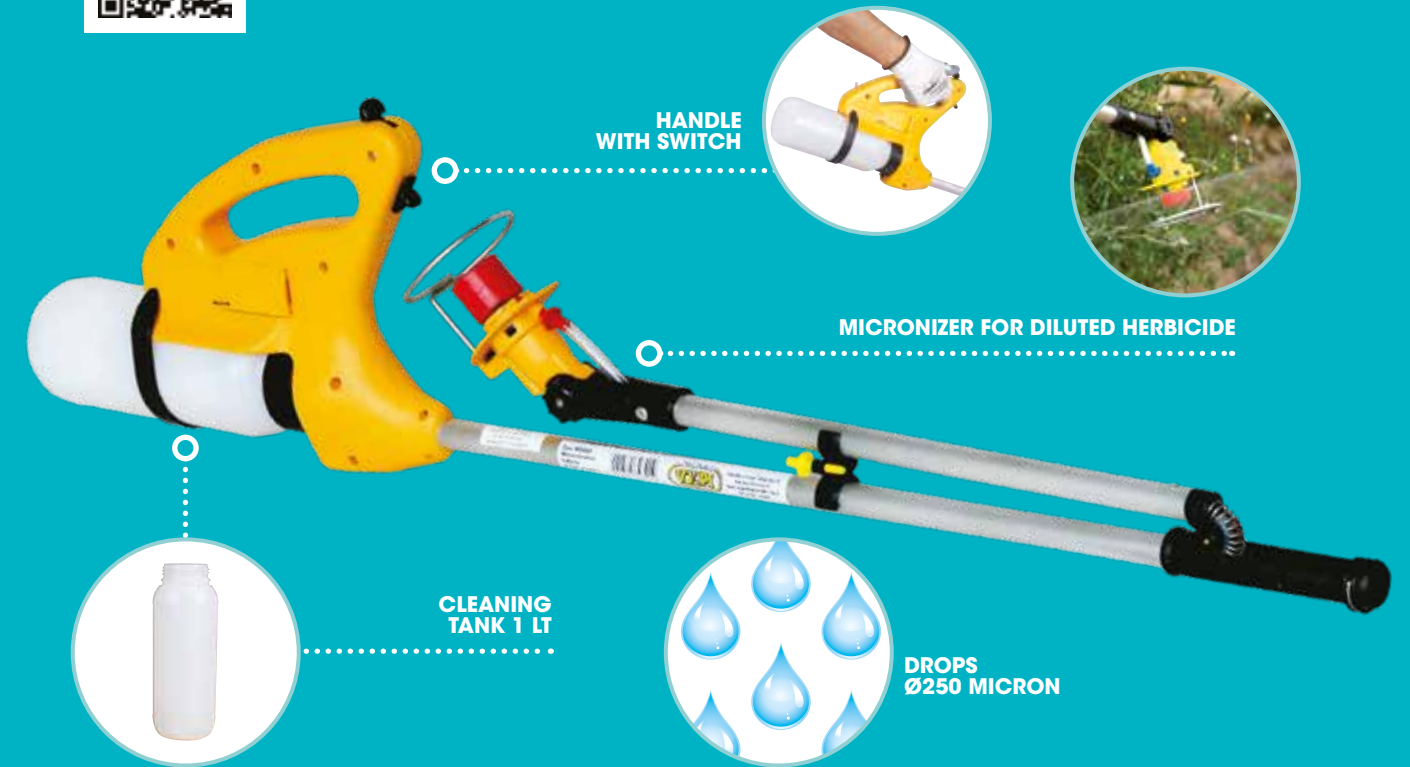


Q.ty: 80 pcs

M3000



M2000



Technical features M3000 with protective hood

CODE	DESCRIPTION	FEATURES	QUANTITY
M3000	Electric microneurizer with Ø34 cm protective hood	<ul style="list-style-type: none"> To be used with pure, undiluted herbicide Operating angle adjustment Tank capacity 1 lt Coverage area Ø34 cm Gravity-fed product 0,6 mt tube Operates with two 1,5V batteries for 40 hours approx Suitable for diluted herbicide widespread control 	1

Spare parts pag 127

Technical features M2000 without protective hood

CODE	DESCRIPTION	FEATURES	QUANTITY
M2000	Electric microneurizer without protective hood	<ul style="list-style-type: none"> To be used with pure, undiluted herbicide Operating angle adjustment Tank capacity 1 lt Coverage area Ø120 cm Gravity-fed product 1 mt folding tube Operates with two 1,5V batteries for 40 hours approx Suitable for diluted herbicide widespread control 	1

Spare parts pag 127

Packing



Q.ty: 1 pc
Dim.: 94x12x37 cm
Weight: 1,95 Kg



Q.ty: 42 pcs

Packing



Q.ty: 1 pc
Dim.: 26x14x86 cm
Weight: 1,6 Kg



Q.ty: 60 pcs

WHEELBARROWS AND MOTOR PUMPS



A wide range of sprayers on wheelbarrows, with electric motors or combustion engines. The ideal solution for high pressure spraying.



835F

Wheelbarrow with trolley and 100lt tank capacity. Equipped with metallic hose reel and 30mt high pressure hose with lever lance.



Industrial use



Gardening
Disinfection



Technical features 835F

CODE	DESCRIPTION	FEATURES	QUANTITY
835F	100L wheelbarrow motor pump	Combustion motor 4T 2,5H	1
		Maximum pressure 20 bar	
		Hose reel 30mt with lever lance	

Packing



Q.ty: 1 pc
Dim.: 108x71x95 cm
Weight: 65,40 Kg



Industrial use



Gardening
Disinfestation



Industrial use



Gardening
Disinfestation



Packing

Q.ty: 1 pc
Dim.: 85x50x80 cm
Weight: 19 Kg

Technical features two-wheeled WHEELBARROW

CODE	DESCRIPTION	FEATURES	Q.TY
712/3	Two-wheeled wheelbarrow with 5 mt hose and lance 55L	Polyethylene tank Equipped with emptying cap Supplied with 5 mt hose and lever lance Provided with aspiration filter Tube-shaped frame with removable handle Can be combined with: electric pumps 602MO, 603MO and motor pumps 602RA, 603RA, 603HO Upper cap with filter	1



Packing

Q.ty: 1 pc
Dim.: 50x41x50 cm
Weight: 16,90 Kg

AR202 MOTOR PUMP

CODE	DESCRIPTION	FEATURES	Q.TY
602RA	Motor pump with Rato R100 4-stroke combustion motor 2,5 HP	Rato R100 4-stroke combustion motor 2,5 HP Maximum pressure 20 bar AR202 diaphragm pump Can be combined with: wheelbarrows 712/3, 712/4A, 712/5A Maximum flow rate 20 lt/min	1
AR202	Component: AR202 pump without reducer		1
R100	Component: EHR 80-V Blueflex motor		1
600/1	Overall 1,5 mt suction with suction filter and 1,5 mt hose excess discharge		1



Packing

Q.ty: 1 pc
Dim.: 93x73x83 cm
Weight: 25,3 Kg

Technical features two-wheeled WHEELBARROW

CODE	DESCRIPTION	FEATURES	Q.TY
712/4A	Two-wheeled wheelbarrow 80L	Polyethylene tank Equipped with emptying cap Tube-shaped frame with removable handle Provided with aspiration filter Upper cap with filter Can be combined with: electric pumps 602MO, 603MO, motor pumps 602RA, 603RA, 603HO and hose winder 612/5B	1



Packing

Q.ty: 1 pc
Dim.: 50x41x50 cm
Weight: 24 Kg

AR252 MOTOR PUMP

CODE	DESCRIPTION	FEATURES	Q.TY
603RA	Motor pump with R210 4-stroke combustion motor 5 HP	R210 4-stroke combustion motor 5 HP Maximum pressure 25 bar AR252 diaphragm pump Can be combined with: wheelbarrows 712/3, 712/4A, 712/5A Maximum flow rate 25 lt/min	1
AR252	Component: AR252 pump without reducer		1
R210	Component: EHR 210 Blueflex motor		1
600/1	Overall 1,5 mt suction with suction filter and 1,5 mt hose excess discharge		1



Packing

Q.ty: 1 pc
Dim.: 93x73x83 cm
Weight: 26,0 Kg

Technical features two-wheeled WHEELBARROW

CODE	DESCRIPTION	FEATURES	Q.TY
712/5A	Two-wheeled wheelbarrow 120L	Polyethylene tank Equipped with emptying cap Provided with aspiration filter Tube-shaped frame with removable handle Can be combined with: electric pumps 602MO, 603MO, motor pumps 602RA, 603RA, 603HO and hose winder 612/5B Upper cap with filter	1



Packing

Q.ty: 1 pc
Dim.: 50x41x50 cm
Weight: 24 Kg

AR252 MOTOR PUMP

CODE	DESCRIPTION	FEATURES	Q.TY
603HO	AR 252 pump with HONDA GP160 4 stroke motor 4,8 HP	HONDA GP160 4-stroke combustion motor 4,8 HP Maximum pressure 25 bar AR252 diaphragm pump Can be combined with: wheelbarrows 712/3, 712/4A, 712/5A Maximum flow rate 25 lt/min	1
AR252	Component: 4 stroke without reducer Rato R210 4 tempi 5HP senza riduttore		1
GP160	Component: HONDA GP160 motor		1
600/1	Overall 1,5 mt suction with suction filter and 1,5 mt hose excess discharge		1



Industrial use



Gardening Disinfestation



AR252 ELECTRIC PUMP

CODE	DESCRIPTION	FEATURES	Q.TY
603MO	AR252 pump with single phase motor 1,5 HP 230 V	Electric motor single phase 1,5 HP 230V Maximum pressure 25 bar AR252 diaphragm pump Can be combined with: wheelbarrow 712/3, 712/4A, 712/5A Maximum flow rate 25 lt/min	1
AR252	Component: AR252 pump without reducer		1
600/1	Overall 1,5 mt suction with suction filter and 1,5 mt hose excess discharge		1

Packing



Q.ty: 1 pc
Dim.: 51x28x37 cm
Weight: 19 Kg



AR202 ELECTRIC PUMP

CODE	DESCRIPTION	FEATURES	Q.TY
602MO	AR202 pump with single phase motor 1,2 HP 230 V	Electric motor monofase 1,2 HP 230V Maximum pressure 20 bar AR202 diaphragm pump Can be combined with: wheelbarrow 712/3, 712/4A, 712/5A Maximum flow rate 20 lt/min	1
AR202	Component: AR202 pump without reducer		1
600/1	Overall 1,5 mt suction with suction filter and 1,5 mt hose excess discharge		1

Packing



Q.ty: 1 pc
Dim.: 50x27x37 cm
Weight: 18,7 Kg



Q.ty: 1 pc
Dim.: 40x32x36 cm
Weight: 5,85 Kg

HOSE WINDER FOR WHEELBARROW

CODE	DESCRIPTION	FEATURES	Q.TY
612/5B	Hose winder for wheelbarrow	Stainless steel frame Net weight 5 kg approx Equipped with connection supports Can be combined with: wheelbarrow 712/4A, 712/5A Screws for assembly included	1



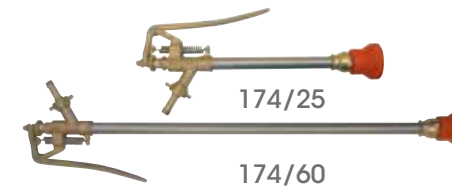
TP1040

TP825

HIGH PRESSURE PLASTIC HOSE • IN 50 METRE ROLLS

CODE	DESCRIPTION	FEATURES	Q.TY
TP825	High pressure hose 8x13; 20 bar	Professional solution for high pressures Easy handling	50
TP1040	High pressure hose 10x17; 40 bar	Soft and flexible rubber hose Can be combined with: wheelbarrow 712/3, 712/4A, 712/5A	50

LEVER LANCE

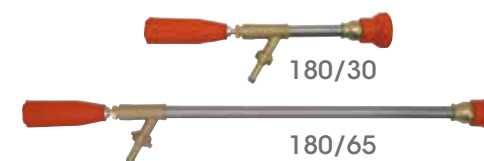


174/25

174/60

CODE	DESCRIPTION	FEATURES	Q.TY
174/25	Steerable lever lance for high pressure, 25 cm approx. with Ø1,5 nozzle	Professional solution for high pressures Ceramic nozzle	1
174/60	Steerable lever lance for high pressure, 60 cm approx. with Ø1,5 nozzle	Stainless steel and brass lance	1
174D12	Lance diffuser for high pressure with Ø1,2 nozzle		1
174D15	Lance diffuser for high pressure with Ø1,5 nozzle		1

LANCE WITH HANDLE



180/30

180/65

CODE	DESCRIPTION	FEATURES	Q.TY
180/30	Steerable lance with handle for high pressure, 30 cm approx. with Ø1,5 nozzle	Professional solution for high pressures Ceramic nozzle	1
180/65	Steerable lance with handle for high pressure, 65 cm approx. with Ø1,5 nozzle	Stainless steel and brass lance	1
174D12	Lance diffuser for high pressure with Ø1,2 nozzle		1
174D15	Lance diffuser for high pressure with Ø1,5 nozzle		1

ACCESSORIES AND SPARE PARTS

SPARE PARTS AND ACCESSORIES FOR THE WHOLE RANGE OF PRODUCTS



1611/1C



166



1614/1



163P



163PV



167



1615/1



163PT



1620/1



168

RAPID/GET

SPRAYING LANCE (GARDEN 6/8 - FLORA)

CODE	DESCRIPTION	Q.TY
1611/1C	Curved Rapid/Get lance 61 cm	5
1611/1CBLIS	Curved Rapid/Get lance 61 cm - Blister	5

SPRAY/GET

SPRAYING LANCE (V.BLACK)

CODE	DESCRIPTION	Q.TY
166	Curved Spray/Get lever lance 70 cm	5
166BLIS	Curved Spray/Get lever lance 70 cm - Blister	5

UNIVERSAL/GET

SPRAYING LANCE (UNI - RECORD)

CODE	DESCRIPTION	Q.TY
1614/1	Universal/Get lance 70 cm	5
1614/1BLIS	Universal/Get lance 70 cm - Blister	5

HOBBY/VOLPITECH

SPRAYING LANCE

CODE	DESCRIPTION	Q.TY
163P	Plastic lever lance mod. Hobby 60 cm	5
163PBLIS	Plastic lever lance mod. Hobby 60 cm - Blister	5
163PV	Plastic lever lance mod. Industrial Volpitech 60 cm	5
163PVBLIS	Plastic lever lance mod. Industrial Volpitech 60 cm - Blister	5

CLICK/GET

SPRAYING LANCE (V.BLACK KOMFORT 12/16)

CODE	DESCRIPTION	Q.TY
167	Click/Get lance 70 cm	5
167BLIS	Click/Get lance 70 cm - Blister	5

TELESCOPIC

SPRAYING LANCE

CODE	DESCRIPTION	Q.TY
1615/1	Telescopic lance 0.75-1.25 mt with Get nozzle	5
163PT	Telescopic lever lance 0.67-1.10 mt with Get nozzle	5

SFERA/GET

SPRAYING LANCE • BRASS

CODE	DESCRIPTION	Q.TY
1620/1	Lance with sphere tap and Get nozzle 68 cm	5
1620/1BLIS	Lance with sphere tap and Get nozzle 68 cm - Blister	5

STELLA/GET

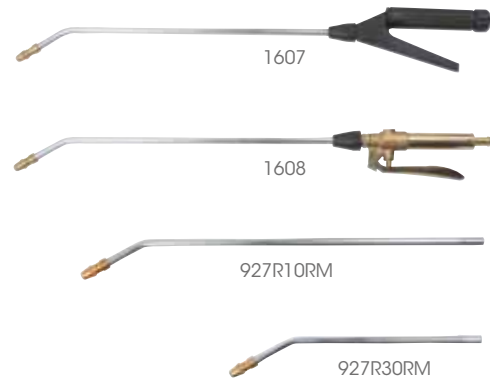
SPRAYING LANCE • BRASS

CODE	DESCRIPTION	Q.TY
168	Stella/Get lever lance 70 cm	5
168BLIS	Stella/Get lever lance 70 cm - Blister	5



PRESSURE REGULATOR

CODE	DESCRIPTION	Q.TY
163RPBLIS	Pressure regulator - Blister	5



CURVED LEVER LANCES FOR POLLINATION

CODE	DESCRIPTION	Q.TY
1607/1L	60 cm curved lever lance for pollination with plastic handle and special adjustable nozzle for pollination	5
1607/2L	40 cm curved lever lance for pollination with plastic handle and special adjustable nozzle for pollination	5
1608/1L	60 cm curved lever lance for pollination with brass handle and special adjustable nozzle for pollination	5
1608/2L	40 cm curved lever lance for pollination with brass handle and special adjustable nozzle for pollination	5
927R10RM	40 cm curved aluminium pole with nozzle for pollination	5
927R30RM	20 cm curved aluminium pole with nozzle for pollination	5



NOZZLE FOR POLLINATION

CODE	DESCRIPTION	Q.TY
208	Nozzle for pollination with universal connection with Ø0,8 hole	10



PROTECTIVE HOOD

CODE	DESCRIPTION	Q.TY
30D	Protective hood	5
ZZ1941A	Anti-drip valve with filter	10
ZZ1941G	Anti-drip valve with filter	10
PL01C02	Plastic ring 3/8	10
30D5	30° joint with ring for protective hood	5
30D6	Nozzle complete with sleeve and ring nut	10

Q.ty: 5 pcs
Dim.: 40x30x34 cm
Weight: 2,3 Kg

Q.ty: 200 pcs

TELESCOPIC EXTENSION AND 3/8 BRASS FITTING

CODE	DESCRIPTION	Q.TY
189T	Telescopic extension 55 cm to 100 cm with brass fitting	5
189TXL	Telescopic extension 125 cm to 250 cm with brass fitting	5
1612R	3/8 brass fitting for handles 1612A, 1612AL, 1619, 1692, 196, 193	10



EXTENSION POLE IN ALUMINIUM, BRASS AND STAINLESS STEEL

CODE	DESCRIPTION	Q.TY
190/1	Aluminium extension pole Ø10 50 cm	10
190/1BLIS	Aluminium extension pole Ø10 50 cm - Blister	5
190/2	Aluminium extension pole Ø10 70 cm	10
189/1	Brass extension pole Ø10 50 cm	10
189/1BLIS	Brass extension pole Ø10 50 cm - Blister	5
189/3	Brass extension pole Ø10 70 cm	10
ZZOR108	O-ring for end fittings	10
187R2C	Curved stainless steel extension pole Ø10 75 cm	10
1612R1C	Curved aluminium pole Ø8 40 cm	5
1612R2C	Aluminium pole Ø8 60 cm	5
187R2CBLIS	Curved stainless steel extension pole Ø10 75 cm - Blister	5
165/18	Connection for curved stainless steel pole / Electroplus handle	10



EXTENSION FOR V.BLACK

CODE	DESCRIPTION	Q.TY
927R1	Aluminium pole 40 cm with adjustable miniget	10
191/1	Aluminium extension pole Ø10 50 cm with fittings	10
192P	Plastic extension pole 42 cm	10
189PT	Telescopic extension pole 50/90 cm	10



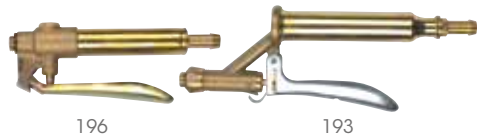
CLICK HANDLE

CODE	DESCRIPTION	Q.TY
163R	Lever click handle Ø8	10
163RBLIS	Lever click handle Ø8 - Blister	10
167R	Lever click handle Ø10	10
167RBLIS	Lever click handle Ø10 - Blister	10

HANDLE WITH SPHERE TAP

CODE	DESCRIPTION	Q.TY
1692	UNI handle with filter	5
1619	Handle with sphere tap	5
1619BLIS	Handle with sphere tap - Blister	5





CLICK LEVER HANDLE WITH TAP

CODE	DESCRIPTION	Q.TY
196	Lever handle "Stella" with tap and filter	5
196BLIS	Lever handle "Stella" with tap and filter - Blister	5
193	Lever handle with tap and filter	5



PLASTIC HANDLE

CODE	DESCRIPTION	Q.TY
1611AL	Rapid lever handle	10
1612AL	Plastic lever handle "Rondinella" with brass fitting	10
1611A	Rapid handle	10
1611ABLIS	Rapid handle - Blister	5
1612A	Universal handle	10
1612ABLIS	Impugnatura Universal - Blister	10
1612E	Universal fitting	10
1612PG	Brass hose fitting with O-ring for Rapid and Universal handle	10



STEERABLE NOZZLES

CODE	DESCRIPTION	Q.TY
214	"Maxi" nozzle with Ø1,3 hole	10
213	"D.T." nozzle with Ø1,3 hole	10
215	"D.T." cap with Ø1,3 hole	10



STEERABLE NOZZLES

CODE	DESCRIPTION	Q.TY
928	"GET" adjustable nozzle with Ø1,5 hole	10
928BLIS	"GET" adjustable nozzle with Ø1,5 hole - Blister	5
930/10	"MEC" adjustable nozzle with ceramic plate with Ø1,0 hole	10
930/12	"MEC" adjustable nozzle with ceramic plate with Ø1,2 hole	10
930/15	"MEC" adjustable nozzle with ceramic plate with Ø1,5 hole	10
930B10	Ceramic plate with Ø1,0 hole	10
930B12	Ceramic plate with Ø1,2 hole	10
930B15	Ceramic plate with Ø1,5 hole	10
ZZOR3043	O-ring gasket 3043	10
930A	Ring nut	5



FAN NOZZLES

CODE	DESCRIPTION	Q.TY
217	"American" type fan nozzle	10
218	"AILA" fan nozzle with blue internal fan nozzle (2 bar lt/min.1,00)	10
218BLIS	"AILA" fan nozzle with blue internal fan nozzle (2 bar lt/min.1,00) - Blister	5
ZZ1941B	Blue fan nozzle (2 bar lt/min. 1,00)	10
ZZ1941M	Magenta fan nozzle (2 bar lt/min. 0,82)	10
ZZ1941G	Yellow fan nozzle (2 bar lt/min. 0,65)	10
ZZ1941V	Green fan nozzle (2 bar lt/min. 0,50)	10
930A	Ring nut	5



FIXED NOZZLES

CODE	DESCRIPTION	Q.TY
219/2	"RILEY" nozzle with 2-hole body	10
222A	Riley cap with Ø1,5 hole	10
229/10	Rose nozzle with ceramic plate with Ø1,0 hole	10
229/12	Rose nozzle with ceramic plate with Ø1,2 hole	10
229/15	Rose nozzle with ceramic plate with Ø1,5 hole	10
930B10	Ceramic plate with Ø1,0 hole	10
930B12	Ceramic plate with Ø1,2 hole	10
930B15	Ceramic plate with Ø1,5 hole	10
930D	Plastic conveyor	10
ZZOR3043	O-ring gasket 3043	10
220	"Meridionale" nozzle with 2-hole body	10
222B	"Meridionale" cap with Ø1,3 hole	10
930A	Ring nut	5



BI/TRIWAY NOZZLES

CODE	DESCRIPTION	Q.TY
223	Double nozzle	5
223C	Curved double nozzle	5
224	Triple nozzle	5
224C	Curved triple nozzle	5
203	Elbow fitting	10
203BLIS	Brass elbow fitting with gasket - Blister	5
226A	Piemonte cap with Ø1,2 hole	10
226B	Piemonte propeller	10

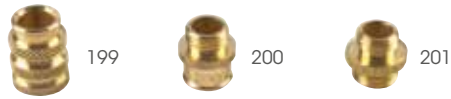


TAPS

CODE	DESCRIPTION	Q.TY
231	Female tap with thread	10
232	Male tap with thread	10

FITTINGS

CODE	DESCRIPTION	Q.TY
199	Female terminal fitting	10
200	Male terminal fitting	10
201	Fitting with two male threads (1/4 Gas step downy mildew)	10



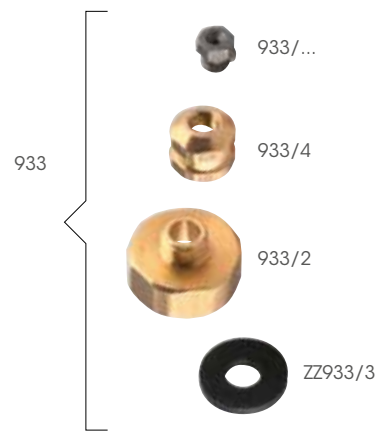
HOSE FITTINGS

CODE	DESCRIPTION	Q.TY
Double joint with finned ring hose pitch step 1/2 gas:		
252A8	For hoses Ø8	10
252A10	For hoses Ø10	10
252/1	1/2" Nipple	10
3-piece fitting with 1/2" ring hose for hoses:		
254/8	mm. Ø8	10
254/10	mm. Ø10	10
One-piece fitting for hoses:		
731/8	mm. Ø8	10
731/10	mm. Ø10	10



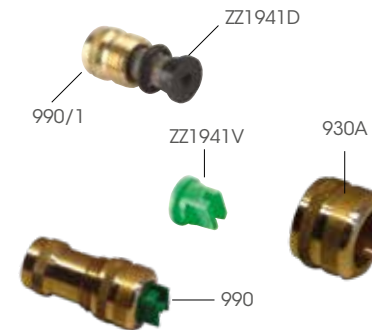
COMPLETE HEAD FOR LANCE

CODE	DESCRIPTION	Q.TY
933	Complete head for lance 174 and 180	5
933/2	Cap	10
ZZ933/3	Gasket	10
933/4	Nozzle support	10
933/10	Stainless steel nozzle with Ø1,0 hole	10
933/12	Stainless steel nozzle with Ø1,2 hole	10
933/15	Stainless steel nozzle with Ø1,5 hole	10
933/18	Stainless steel nozzle with Ø1,8 hole	10
933/20	Stainless steel nozzle with Ø2,0 hole	10
933/25	Stainless steel nozzle with Ø2,5 hole	10



1/2" HOSE FITTING

CODE	DESCRIPTION	Q.TY
234B8	Hose fitting with 1/2 gas finned fitting for Ø8 hoses	10
234B10	Hose fitting with 1/2 gas finned fitting for Ø10 hoses	10
234C13	Hose fitting with 1/2 gas finned fitting for Ø13 hoses	10
234D	Elbow hose fitting with 1/2 gas finned fitting Ø10	10
YGUP18	Flat gasket 1/2 gas 18x12x2	10



FAN NOZZLE WITH FILTER

CODE	DESCRIPTION	Q.TY
990	Fan nozzle with filter	5
930A	Ring nut	5
ZZ1941V	Fan nozzle	5
ZZ1941D	Filter	5
990/1	Nozzle body	5

MIRROR NOZZLES

CODE	DESCRIPTION	Q.TY
950	Mirror nozzle with DH2 nozzle	10
930A	Ring nut	10
TK2	Mirror nozzle	10
ZZOR3043	O-ring seal	10
1612R	3/8" Fitting	10



FILTER FOR HANDLES

CODE	DESCRIPTION	Q.TY
197C	Filter for handles DT & UNI	10



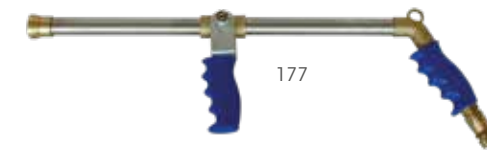
3/8" HOSE FITTING

CODE	DESCRIPTION	Q.TY
234A8	Hose fitting with 3/8 gas finned fitting for Ø8 hoses	10
234A10	Hose fitting with 3/8 gas finned fitting for Ø10 hoses	10
YGUP15	Flat gasket 3/8 gas 15,5x10x2	10



MITRA ECO LANCE • FOR HIGH PRESSURE

CODE	DESCRIPTION	Q.TY
177	Mitra Eco lance for high and very high pressure with nozzle Ø2,0	1





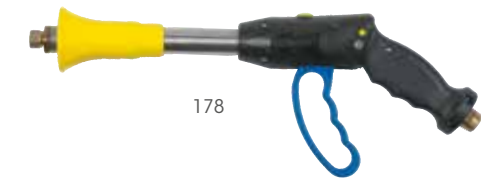
176



179



179/1



178

MITRA LANCE • FOR HIGH PRESSURE

CODE	DESCRIPTION	Q.TY
176	Mitra lance for high and very high pressure with nozzle Ø2,0	1
176W10	Ceramic nozzle for Mitra and Jet lance Ø1,0	1
176W12	Ceramic nozzle for Mitra and Jet lance Ø1,2	1
176W15	Ceramic nozzle for Mitra and Jet lance Ø1,5	1
176W18	Ceramic nozzle for Mitra and Jet lance Ø1,8	1
176W20	Ceramic nozzle for Mitra and Jet lance Ø2,0	1
176W25	Ceramic nozzle for Mitra and Jet lance Ø2,5	1
176W30	Ceramic nozzle for Mitra and Jet lance Ø3,0	1
176W35	Ceramic nozzle for Mitra and Jet lance Ø3,5	1
176/18	Nylon closing insert	1

JET LANCE • FOR HIGH PRESSURE

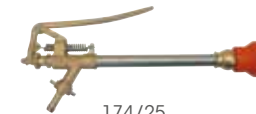
CODE	DESCRIPTION	Q.TY
179	Jet lance for high pressure Ø2,0	1
179/1	Rotating connector	1

FOX LANCE • FOR HIGH PRESSURE

CODE	DESCRIPTION	Q.TY
178	Fox lance for high pressure with nozzle Ø2,0 equipped with two spare nozzles with hole Ø1,8 and hole Ø2,5	1
178/1	Ceramic nozzle for Fox lance Ø1,8	1
178/2	Nozzle support for Fox lance	1
178K10	Nozzle Ø1,0 + support + gasket for Fox lance	1
178K12	Nozzle Ø1,2 + support + gasket for Fox lance	1
178K15	Nozzle Ø1,5 + support + gasket for Fox lance	1
178K18	Nozzle Ø1,8 + support + gasket for Fox lance	1
178K20	Nozzle Ø2,0 + support + gasket for Fox lance	1



174/60



174/25



180/65



180/30



PVC10



TP1040

TP825

LEVER LANCE

CODE	DESCRIPTION	Q.TY
174/60	Steerable lever lance for high pressure approx. 60 cm with nozzle Ø1,5	1
174/25	Steerable lever lance for high pressure approx. 25 cm with nozzle Ø1,5	1
174D12	Lance diffuser for high pressure with nozzle Ø1,2	1
174D15	Lance diffuser for high pressure with nozzle Ø1,5	1

LANCE WITH HANDLE

CODE	DESCRIPTION	Q.TY
180/65	Steerable lance with handle for high pressure approx. 65 cm with nozzle Ø1,5	1
180/30	Steerable lance with handle for high pressure approx. 30 cm with nozzle Ø1,5	1
174D12	Lance diffuser for high pressure with nozzle Ø1,2	1
174D15	Lance diffuser for high pressure with nozzle Ø1,5	1

PVC HOSE WITH NYLON INSERTS FOR KNAPSACK AND COMPRESSION SPRAYERS

CODE	DESCRIPTION	Q.TY
PVC10	Tubo in PVC Ø7x12	50
PVC120	PVC hose sections 120 cm black	10
PVC120G	PVC hose sections 120 cm yellow-black	10
PVC150G	PVC hose sections 150 cm yellow-black	10
PVC120BLIS	PVC hose sections 120 cm black - Blister	10
PVC120GBLIS	PVC hose sections 120 cm yellow-black - Blister	10
PVC150GBLIS	PVC hose sections 150 cm yellow-black - Blister	10

HIGH PRESSURE PLASTIC HOSE WITH HIGH PRESSURE CANVAS

CODE	DESCRIPTION	Q.TY
TP825	High pressure hose 8x13; 20 bar	50
TP1040	High pressure hose 10x17; 40 bar	50

GARDEN

COMPRESSION SPRAYER

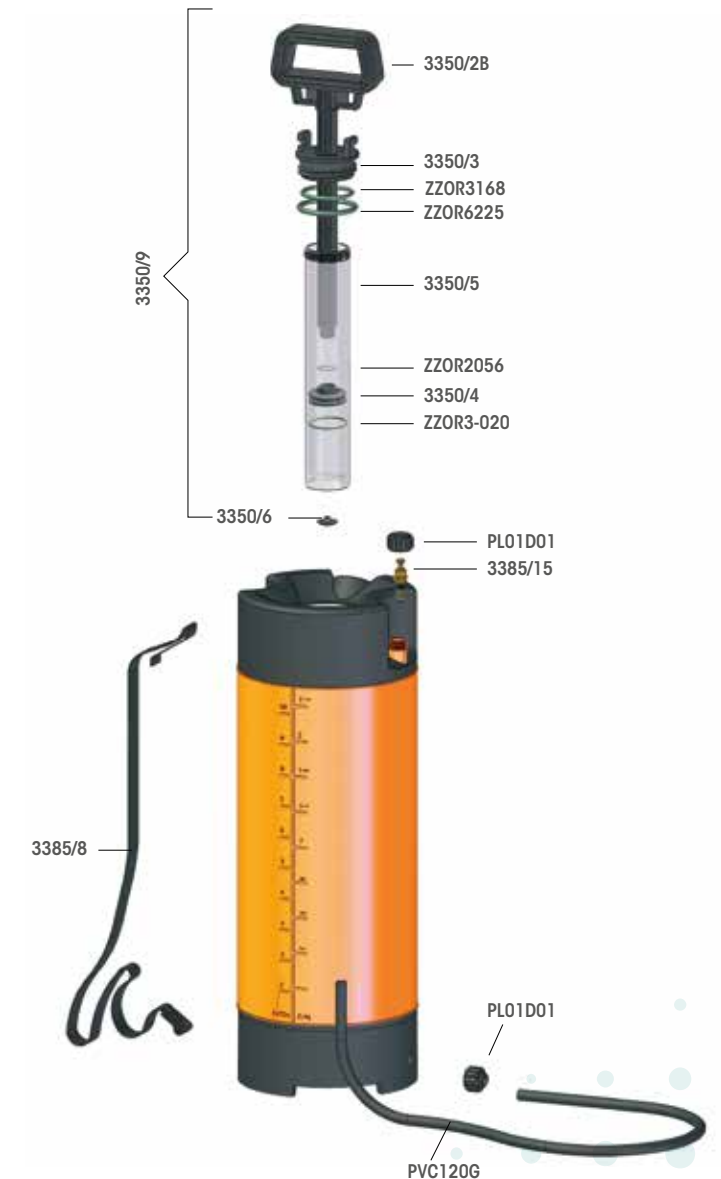
CODE	DESCRIPTION	Q.TY
3350/2B	Pumping handle for Garden	2
3350/3	Guide cap	2
3350/4	O-ring piston for Garden	10
3350/5	Cylinder	2
3350/6	Bottom valve	10
3350/6V	FPM Bottom valve	10
3350/7	Circular base for Garden	2
3350/8G	Shoulder strap for Garden	2
3350/9	Complete pump for Garden and Flora	2
ZZOR3168	Cylinder seal O-ring	10
3350/18	Pressure discharge valve for Garden	5
ZZOR2056	O-ring to the pumping handle	10
ZZOR3-020	Piston seal O-ring	10
ZZOR3-020V	FPM seal O-ring	10
ZZOR6225	Cover seal O-ring	10
PL01D01	1/2" ring	10
PVC120G	Delivery hose	10
3350KBLIS	Spare part kit for Garden - Blister	1
218	"AILA" nozzle	10



FLORA

COMPRESSION SPRAYER

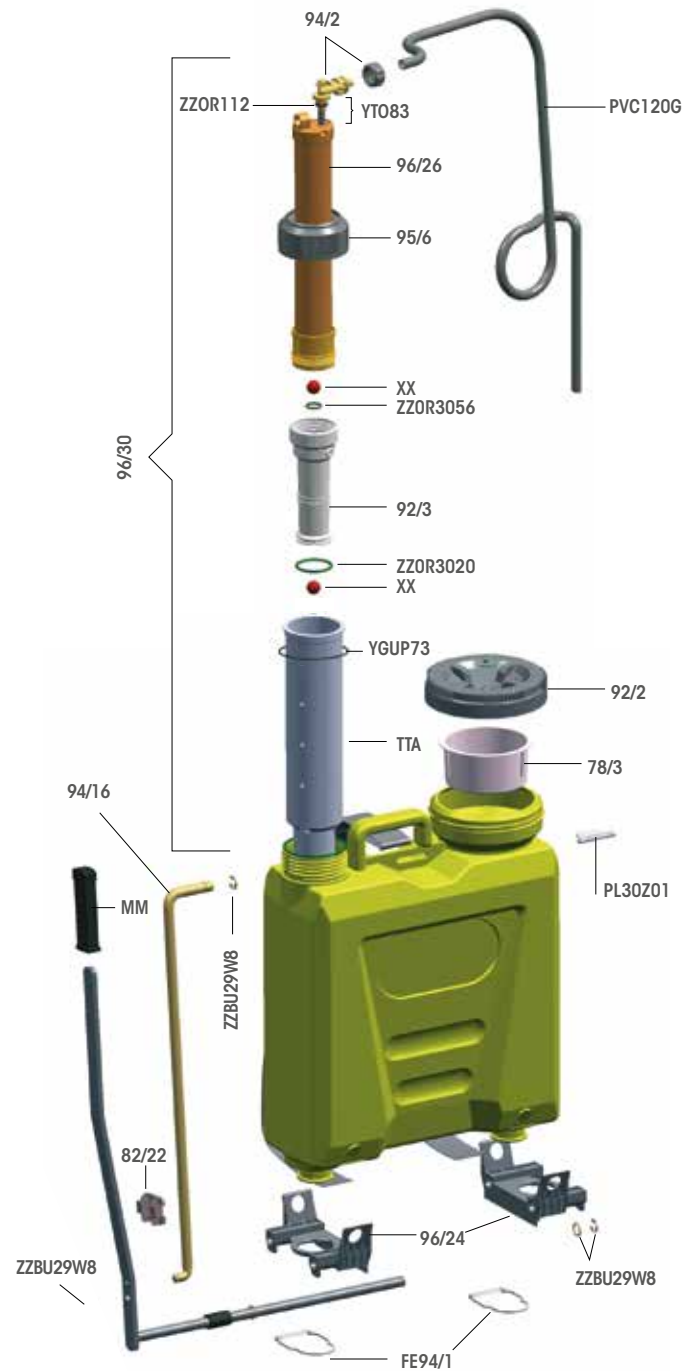
CODE	DESCRIPTION	Q.TY
3350/2B	Pumping handle for Flora	2
3350/3	Guide cap	2
3350/4	O-ring piston	10
3350/5	Cylinder	2
3350/6	Bottom valve	10
3350/6V	FPM Bottom valve	10
3385/8	Shoulder strap with snap hooks	2
3350/9	Complete pump for Flora	2
ZZOR3168	Circular base for Flora	10
3385/7	Pressure discharge valve for Flora	2
3385/15	O-ring to the pumping handle	5
ZZOR2056	Piston seal O-ring	10
ZZOR3-020	FPM seal O-ring	10
ZZOR3-020V	Cover seal O-ring	10
ZZOR6225	1/2" ring	10
PL01D01	Cylinder seal O-ring	10
ZZOR3168	OR between cap and cylinder	10



UNI

BRASS PUMP KNAPSACK SPRAYER

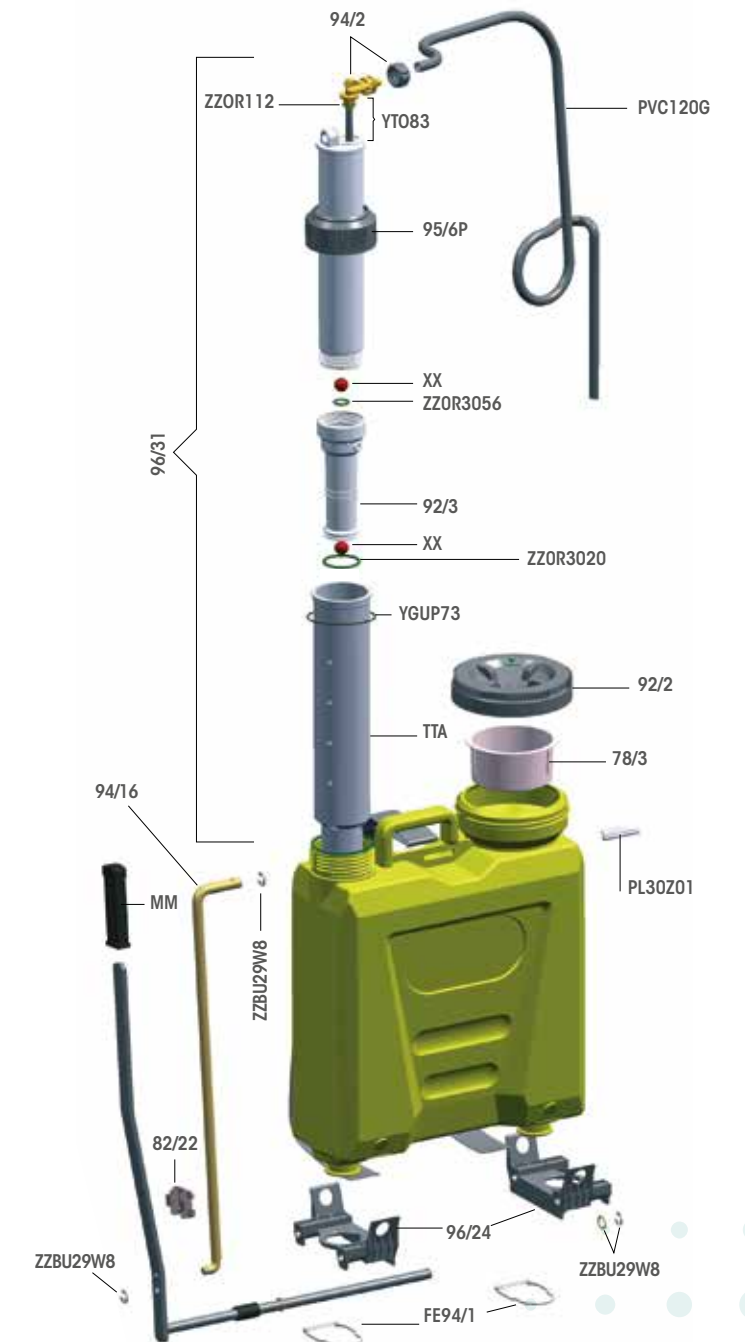
CODE	DESCRIPTION	Q.TY
78/3	Plastic filter Ø100	2
82/22	Handle blocking system	2
82/30	Complete brass pump (old model)	2
82/31	Complete plastic pump (old model)	2
92/2	Screw lid with valve	2
92/3	O-ring Piston 3-020	2
94/2	Hose fitting with ring	2
95/6	Pump guide ring nut for UNI brass body	2
95/6P	Pump guide ring nut Ø52 for UNI plastic body	2
96/4	Shoulder strap with wide hooks	2
96/24	Base for Mod.78 15L and Mod. 81	2
96/26	Upper brass chamber	2
96/30	Complete brass pump	2
96/31	Complete plastic pump	2
94/16	Zainc-coated lever	1



UNI

PLASTIC PUMP KNAPSACK SPRAYER

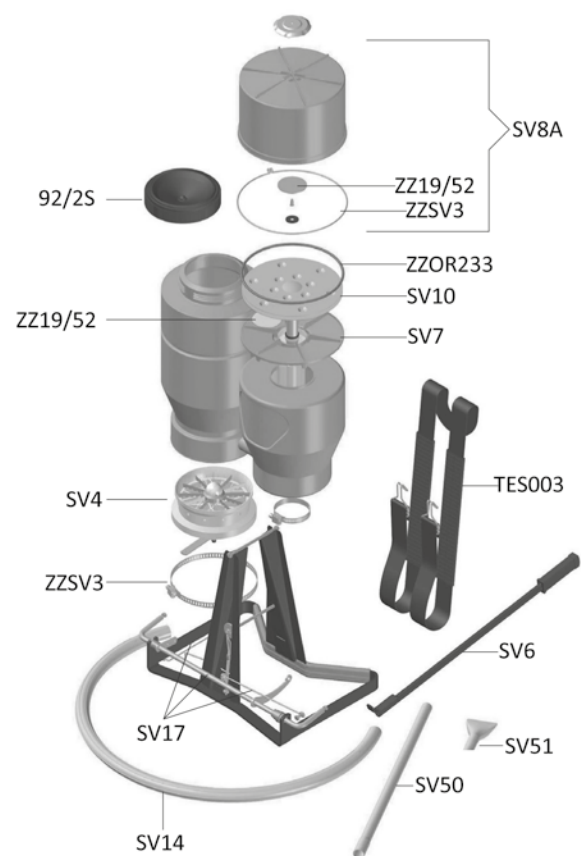
CODE	DESCRIPTION	Q.TY
AA	Fixed piston with valve housing O-ring fitting, piston seal O-ring and gasket	2
ZZBU29W8	Seeger Ø8	10
FE94/1	Wide hook for shoulder strap	10
MM	Handle on lever	2
ZZOR3-020	Piston seal O-ring	10
ZZOR3-020V	FPM piston seal O-ring	10
ZZOR3056	Internal valve housing O-ring	10
PL30Z01	Plastic tab for shoulder strap	10
PVC120G	Delivery hose 120 cm yellow-black	10
TT	Pump guide for old model	2
TTA	Pump guide	2
YGUP73	Flat PVC gasket 73x66x2	10
YTO83	Suction tube for UNI	10
XX	Stainless steel sphere valve	10



SV80

MANUAL DUSTER

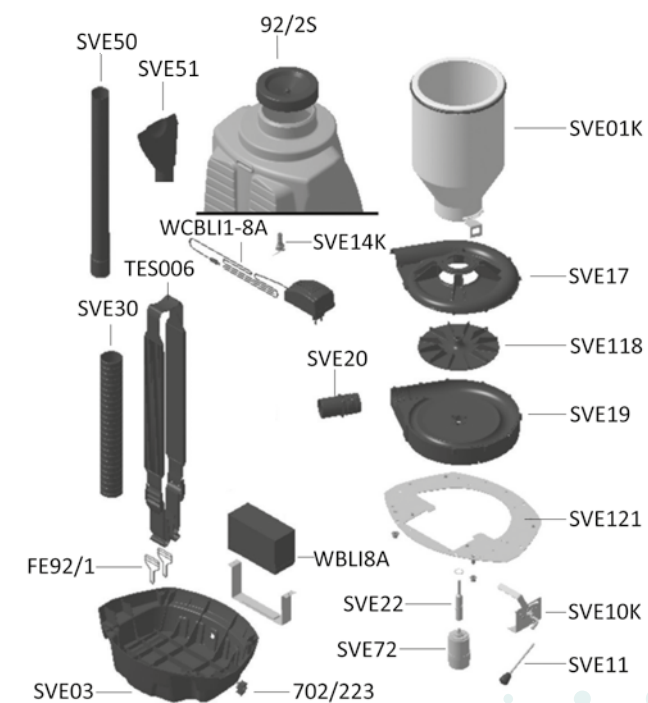
CODE	DESCRIPTION	Q.TY	PCS. BOX.
ZZ19/52	Valve Ø52	2	1
92/2S	Assembled cap for SV/SVE	1	1
ZZOR233	OR 181x6,99 NBR 70SH piston SV	1	2
SV10	Complete piston	1	1
TES003	Adjustable shoulder strap for SV with Volpi logo	1	1
SV14	Flexible delivery hose l. 1200 mm black	1	1
SV50	Pvc black hose Ø20x17 lenght 750	1	1
SV51	Powder spreader hose Ø20 for SV	1	2
SV17	Tie rod set 4 pcs for SV	1	1
ZZSV3	Grinder tightening strap 152x172	2	1
SV4	Grinder assembly	1	1
SV6	Handle	1	1
SV7	Flange with piston guide hose	1	1
SV8A	Complete compression cylinder	1	1



DINAMICA

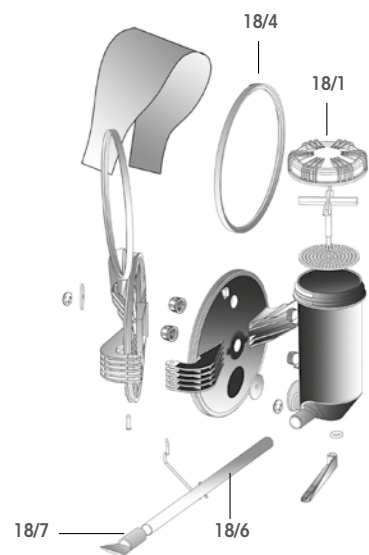
ELECTRIC KNAPSACK DUSTER

CODE	DESCRIPTION	Q.TY	PCS. BOX.
SVE51	Powder spreader hose Ø45 for SVE	1	2
SVE50	Pvc black hose Ø45x42 lenght. 600	1	1
92/2S	Assembled cap for SV/SVE	1	1
SVE01K	Hopper assembly with worm screw, support, valve and lever	1	1
WCBLI1-8A	Battery charger 1,8A	1	1
SVE14K	Agitator holder bush assembly	1	1
SVE17	Suction side worm screw SVE	1	1
SVE118	Sve complete fan	1	1
SVE19	Motor side worm screw SVE	1	1
SVE20	Delivery hose connector Ø45 SVE	1	1
SVE121	Bell fixing group galvanised steel SVE complete	1	1
SVE30	Spiral delivery hose 45x55x700 x SVE	1	1
TES006	Adjustable double shoulder strap w/out hook	1	1
WBLI8A	Li-ion battery 12V 8A	1	1
FE92/1	Hook for shoulder strap	2	2
SVE03	Duster base x SVE	1	1
SVE07	Complete cylindrical fuse holder 5x20 faston 4.8	1	1
SVE07F	Cylindrical fuse 5x20 4A	1	5
702/223	On/off switch IP65	1	1
SVE24K	Complete wiring for SVE	1	1
SVE25	Micro wiring sve to motor and coax. Socket	1	1
98/13	Battery charger socket	1	1
SVE72	Electric motor 12V for SVE w/ motor cover	1	1
SVE22	Fan shaft SVE	1	1
SVE11	Measuring device adjustment lever sve	1	1
SVE10K	Micron support assembly with pin lever	1	1



MISTRAL

POWDER BELLOWS

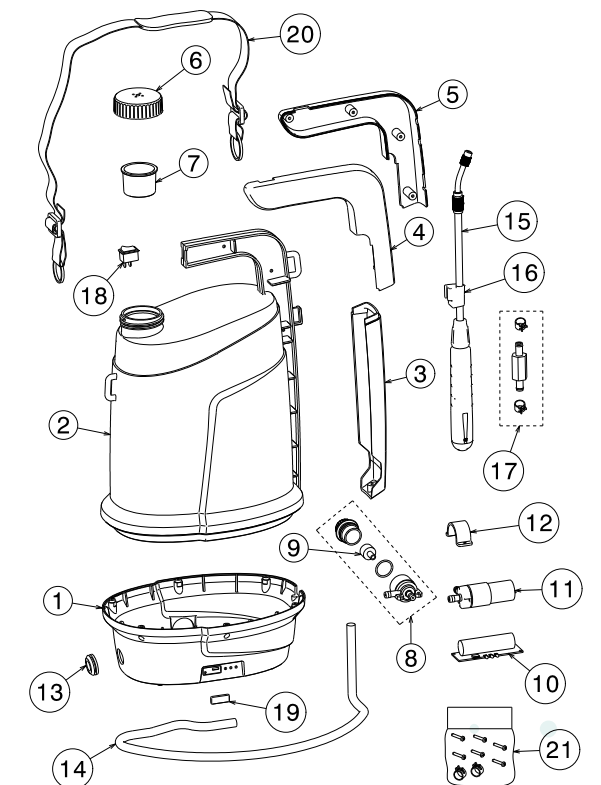


CODE	DESCRIPTION	Q.TY
18/1	Tank closing cover for mistral bellows	1
18/4	Mistral bellows tightening clamp	1
18/6	Pvc extension hose for Mistral	1
18/7	PVC powder spreader for Mistral	1

SMART V.BLACK

ELECTRIC SPRAYER WITH BATTERY

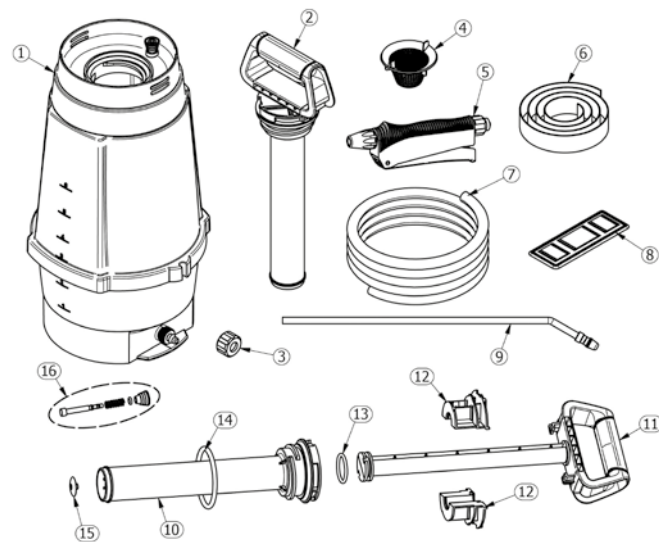
POS.	CODE	DESCRIPTION	UN. MAC.	PCS. BOX.
1	19SMER010	Lower case 5 lt sprayer	1	1
2	19SMER020	Tank	1	1
3	19SMER030	Cable cover	1	1
4	19SMER040	Left handle	1	1
5	19SMER050	Right handle	1	1
6	19SMER060	Lid with valve and OR	1	1
7	19SMER070	Filling filter	1	1
8	19SMER080	Pump filter with body, LID and OR	1	1
9	19SMER081	Pump filter	1	5
10	19SMER090	Electronic board with lithium battery	1	1
11	19SMER100	Diaphragm pump	1	1
12	19SMER101	Locking pump	1	2
13	19SMER110	Hose gasket	1	5
14	19SMER120	Pressure hose	1	1
15	19SMER130	Telescopic lance	1	1
16	19SMER131	Lance support	1	2
17	19SMER132	Non return valve	1	1
18	19SMER140	Switch	1	1
19	19SMER150	Rubber micro USB cover	1	5
20	19SMER160	Shoulder strap	1	1
21	19SMER170	Tank screws and hose clamps kit	1	1
22	WCAB11	USB-micro USB black cable	1	1
23	WCBLI1A	Battery charger 100-240VAC 5VDC 1A USB	1	1



KOMPRESS V.BLACK

PRE-COMPRESSION MANUAL SPRAYER

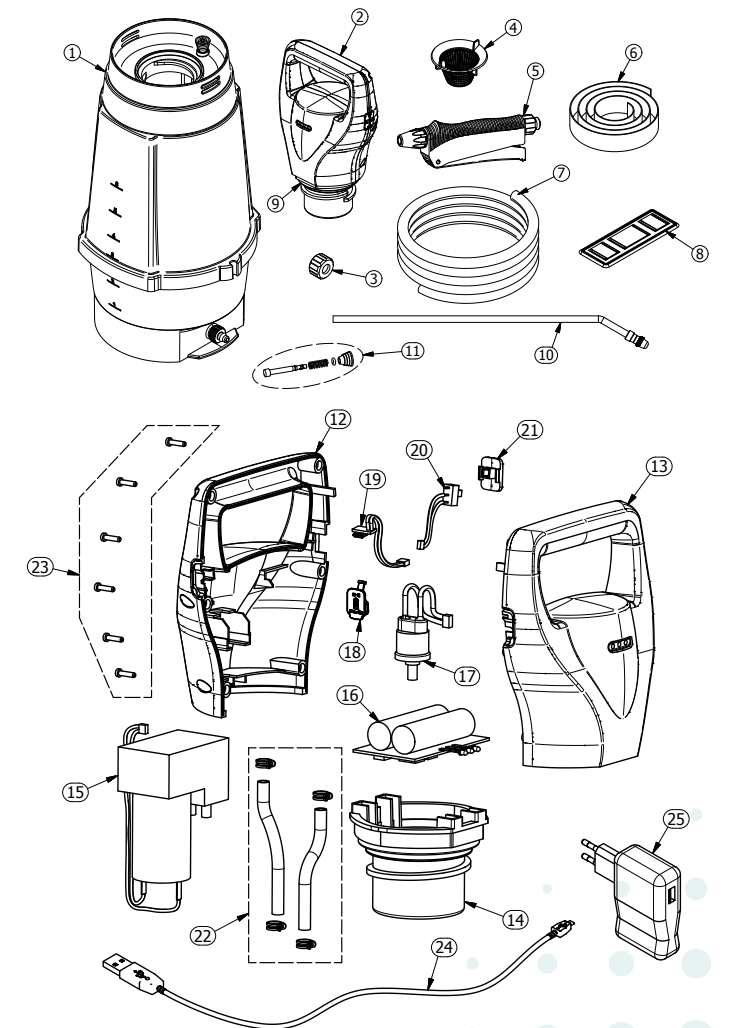
POS.	CODE	DESCRIPTION	UN. MAC.	PCS. BOX.
1	19KPR010	Complete tank for V.Black Kompres	1	1
2	19KPR020	Complete pump for V.Black Kompres	1	1
3	PL01D01	Wheel 1/2" Ø13,0 NY black	1	2
4	3350/13	Plastic sieve Ø69	1	1
5	163R	Click handle Ø8	1	1
6	3350/8A	Black shoulder strap 25x1200	1	1
7	PVC120	Plastic hose ref PVC 8x13x1200 black	1	1
8	92/4GU25	Sheath 130x50 cm for strap 25	1	1
9	927R1	All. Pipe 40 cm Curve c/ miniget for spraying	1	1
10	19KPR021	Pump cilinder V.Black Kompres black	1	1
11	19KPR022	Piston with handle V.Black Kompres black	1	1
12	19KPR023	Half guide piston V.Black Kompres black	2	2
13	ZOR137	OR 29,75x3,53 NBR 70SH	1	10
14	ZOR6262	OR 66,04x5,33 NBR 70SH for V.Black pump	1	10
15	3350/6	Bottom valve	1	10
16	19KPR030	Valve assembly V.Black Kompres	1	5



PROTON V.BLACK

PRE-COMPRESSION ELECTRIC SPRAYER

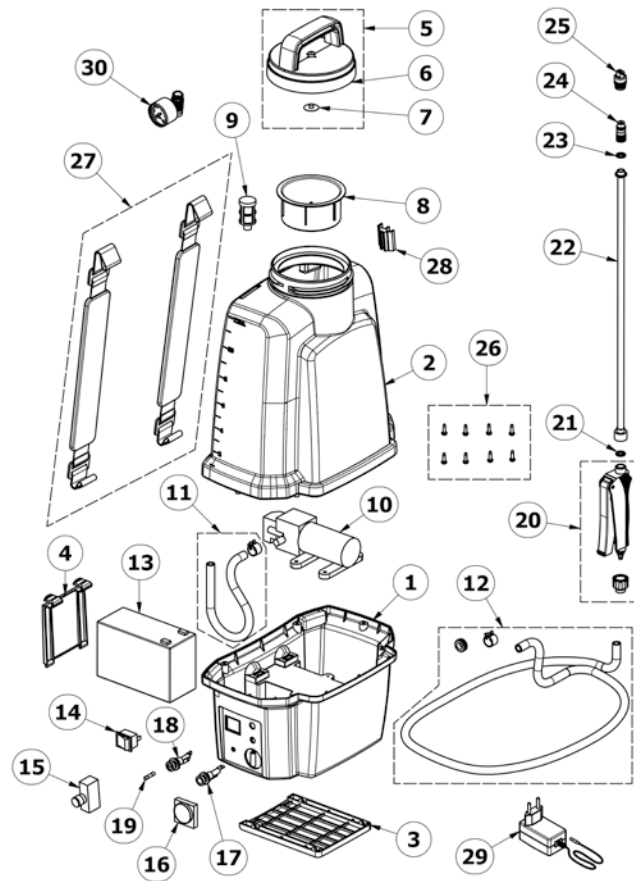
POS.	CODE	DESCRIPTION	UN. MAC.	PCS. BOX.
1	19KPR010	Complete tank V.Black Proton	1	1
2	19PRE010	Electric head for V.Black Proton	1	1
3	PL01D01	Wheel 1/2" Ø13,0 NY black	1	2
4	3350/13	Plastic sieve Ø69	1	1
5	163R	Click handle Ø8	1	1
6	3350/8A	Black shoulder strap 25x1200	1	1
7	PVC120	Plastic hose ref PVC 8x13x1200 black	1	1
8	92/4GU25	Sheath 130x50 cm for strap 25	1	1
9	ZOR6262	O ring 66,04x5,33 NBR 70SH V.Black pump	1	10
10	927R1	All. Rod cm.40 Curve c/ miniget for spraying.	1	1
11	19KPR030	Valve group for V.Black Kompres	1	5
12	19PRE011	Left head V.Black Proton black	1	1
13	19PRE012	Right head V.Black Proton black	1	1
14	19PRE013	Shaft head V.Black Proton black	1	1
15	19PRE014	Electric pump port 20 lt-min press max 2,5 bar	1	1
16	19PRE015	Electric board with 2 lithium batteries V.Black Proton	1	1
17	19PRE016	Pressure switch 1,5 - 2 bar for V.Black Proton	1	1
18	19PRE017	Cover for micro USB V.Black Proton	1	5
19	19PRE018	Micro USB socket complete with wiring for V.Black proton	1	2
20	19PRE019	General ON-OFF switch with wiring V.Black Proton	1	2
21	19PRE020	Cover ON-OFF switch V.Black Proton	1	5
22	19PREK2	Hoses and clamps kit for V.Black Proton	1	1
23	19PREK3	Screws kit for V.Black Proton	1	1
24	WCAB11	USB-micro USB black cable	1	1
25	WCBLI1A	Battery charger 100-240VAC 5VDC 1A USB	1	1



ELEKTRON V.BLACK

ELECTRIC KNAPSACK SPRAYER

POS.	CODE	DESCRIPTION	UN. MAC.	PCS. BOX.
1	19VBER010	Lower case	1	1
2	19VBER020	Tank	1	1
3	19VBER030	Lower compartment	1	1
4	19VBER040	Battery compartment door	1	1
5	19VBER050	Screw cap with valve	1	1
6	19VBER051	Cap	1	1
7	19VBER052	Lid valve	1	5
8	19VBER060	Sieve	1	1
9	19VBER070	Tank filter	1	2
10	19VBER080	Diaphragm pump 3lt/min	1	1
11	19VBER090	Suction tube	1	1
12	19VBER100	Delivery hose	1	1
13	19VBER110	Li-ion battery 12V - 6Ah	1	1
14	19VBER120	General ON-OFF switch	1	1
15	19VBER130	Sprayer regulator	1	1
16	19VBER140	Voltmeter	1	1
17	19VBER150	Battery charger socket	1	1
18	19VBER160	Fuse holder	1	1
19	10/16	Fuse 5A	1	5
20	163N	Click handle	1	1
21	ZZOR3043	OR 10,78x2,62 NBR 70SH	1	10
22	19VBER170	Stainless steel lance	1	1
23	ZZOR112	Lance O-ring	1	10
24	928	Nozzle GET	1	1
25	218	Fan nozzle aila for weed control	1	1
26	19VBER180	Kit self tapping screws 3.9x16	8	8
27	19VBER190	Shoulder straps	2	2
28	19VBER200	Lance holder	1	2
29	19VBER210	Battery charger	1	1
30	19VBER220	Kit manometer for Click	1	1

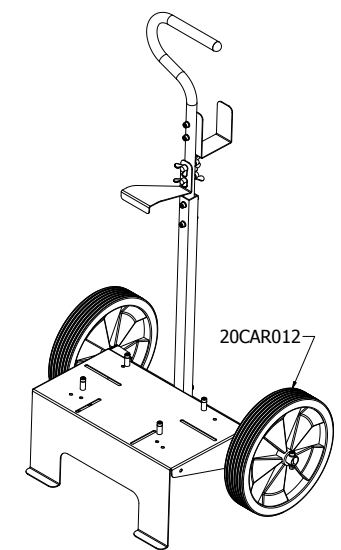
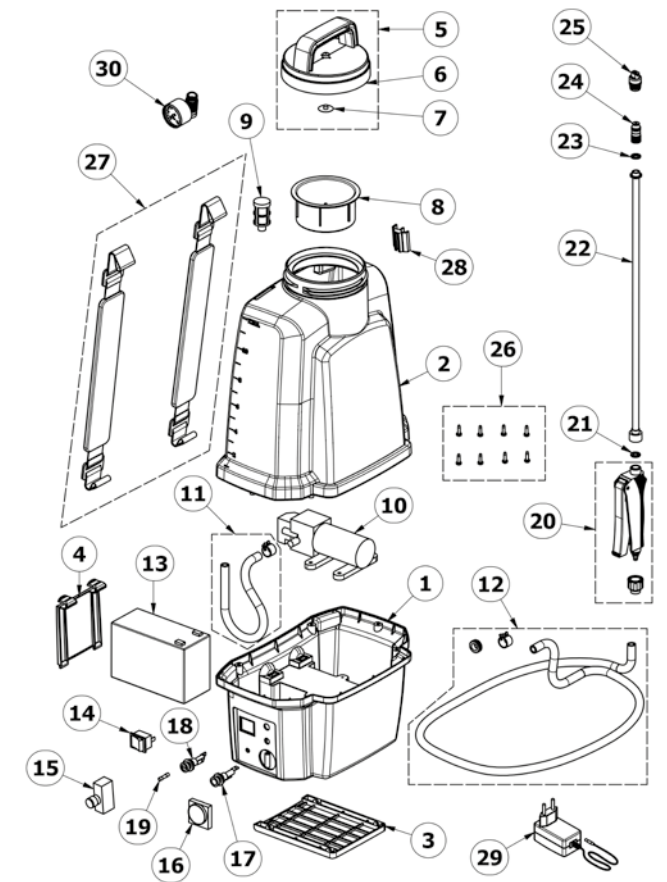


ELEKTRON V.BLACK

WITH TROLLEY

ELECTRIC SPRAYER

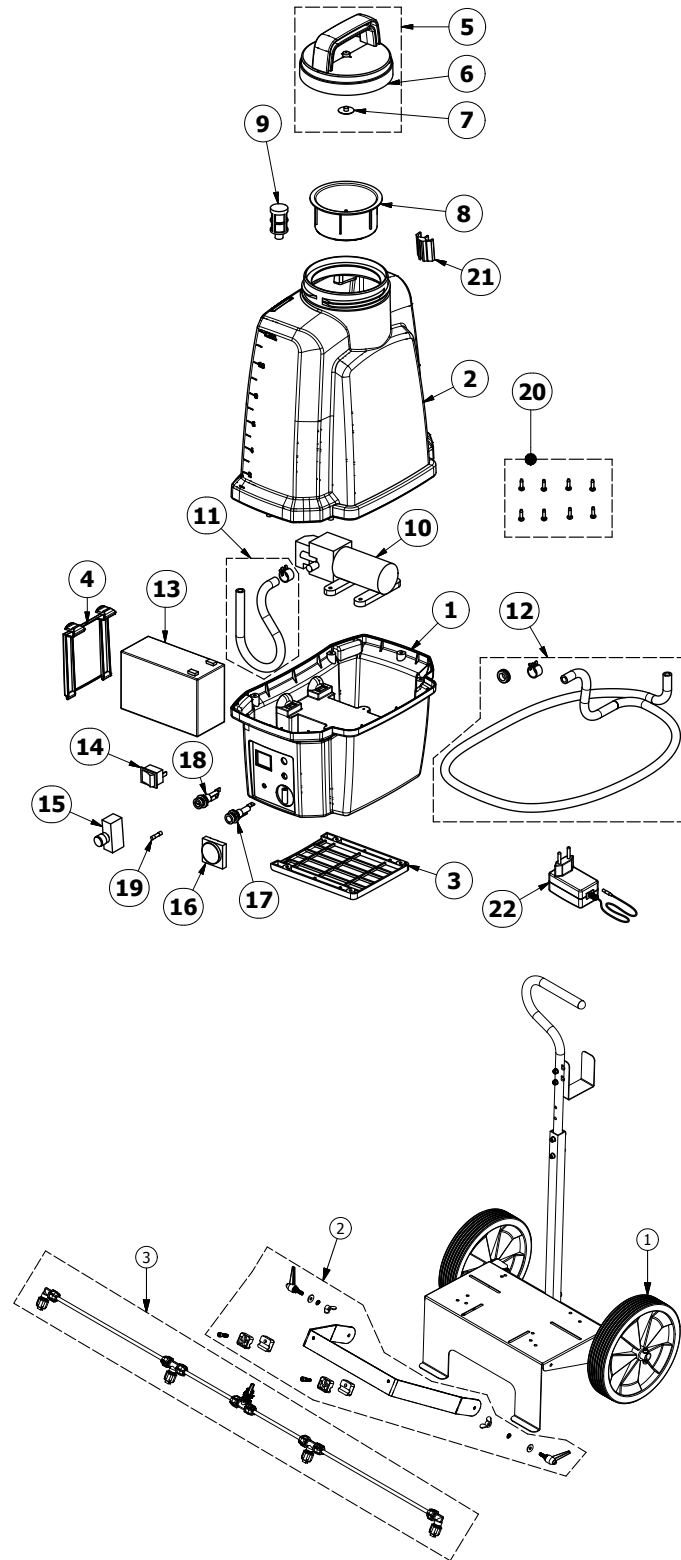
POS.	CODE	DESCRIPTION	UN. MAC.	PCS. BOX.
1	19VBER010	Lower case	1	1
2	19VBER020	Tank	1	1
3	19VBER030	Lower compartment	1	1
4	19VBER040	Battery compartment door	1	1
5	19VBER050	Screw cap with valve	1	1
6	19VBER051	Cap	1	1
7	19VBER052	Lid valve	1	5
8	19VBER060	Sieve	1	1
9	19VBER070	Tank filter	1	2
10	19VBER080	Diaphragm pump 3lt/min	1	1
11	19VBER090	Suction tube	1	1
12	PVC200	Plastic Hose Ret 8x13x2000 Black-Black	1	1
13	19VBER110	Li-ion battery 12V - 6Ah	1	1
14	19VBER120	General ON-OFF switch	1	1
15	19VBER130	Sprayer regulator	1	1
16	19VBER140	Voltmeter	1	1
17	19VBER150	Battery charger socket	1	1
18	19VBER160	Fuse holder	1	1
19	10/16	Fuse 5A	1	5
20	163N	Click handle	1	1
21	ZZOR3043	OR 10,78x2,62 NBR 70SH	1	10
22	19VBER170	Stainless steel lance	1	1
23	ZZOR112	Lance O-ring	1	10
24	928	Nozzle GET	1	1
25	218	Fan nozzle aila for weed control	1	1
26	19VBER180	Kit self tapping screws 3.9x16	8	8
27	19VBER190	Shoulder straps	2	2
28	19VBER200	Lance holder	1	2
29	19VBER210	Battery charger	1	1
30	19VBER220	Kit manometer for Click	1	1
-	20CAR012	Rubber wheels Ø250 For trolley	2	2



ELEKTRON v.BLACK

WITH TROLLEY AND HERBICIDE BAR

ELECTRIC SPRAYER

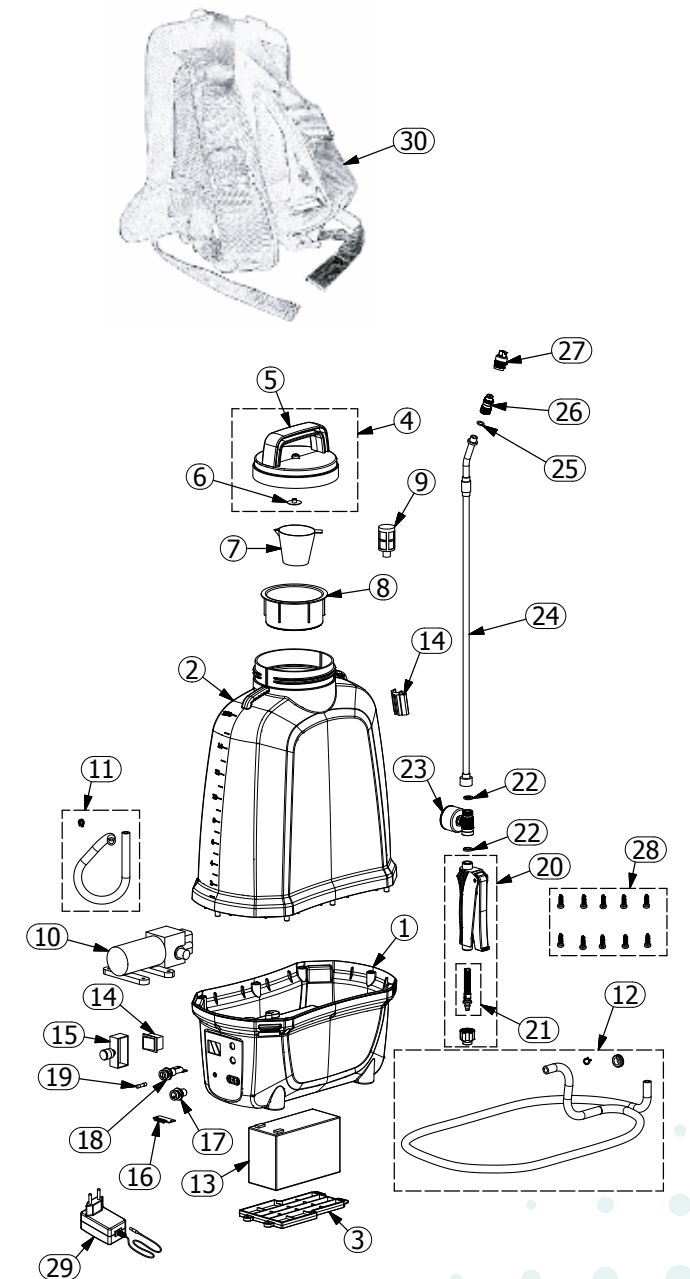


POS.	CODE	DESCRIPTION	UN. MAC.	PCS. BOX.
1	19VBER010	Lower case	1	1
2	19VBER020	Tank	1	1
3	19VBER030	Lower compartment	1	1
4	19VBER040	Battery compartment door	1	1
5	19VBER050	Screw cap with valve	1	1
6	19VBER051	Cap	1	1
7	19VBER052	Lid valve	1	5
8	19VBER060	Sieve	1	1
9	19VBER070	Tank filter	1	2
10	19VBER080	Diaphragm pump 3lt/min	1	1
11	19VBER090	Suction tube	1	1
12	19VBER100	Delivery hose	1	1
13	19VBER110	Li-ion battery 12V - 6Ah	1	1
14	19VBER120	General ON-OFF switch	1	1
15	19VBER130	Sprayer regulator	1	1
16	19VBER140	Voltmeter	1	1
17	19VBER150	Battery charger socket	1	1
18	19VBER160	Fuse holder	1	1
19	10/16	Fuse 5A	1	5
20	19VBER180	Kit self tapping screws 3.9x16	8	8
21	19VBER200	Lance holder	1	2
22	19VBER210	Battery charger	1	1
1	20CAR012	Rubber wheels Ø250 for trolley	2	2
2	20CPEK5	Frame kit- screws- hose holder for herbicide bar	1	1
3	20CPEK7	Herbicide bar kit Ø10 - 4 Nozzles	1	1

E-PRO 16 v.BLACK

ELECTRIC SPRAYER

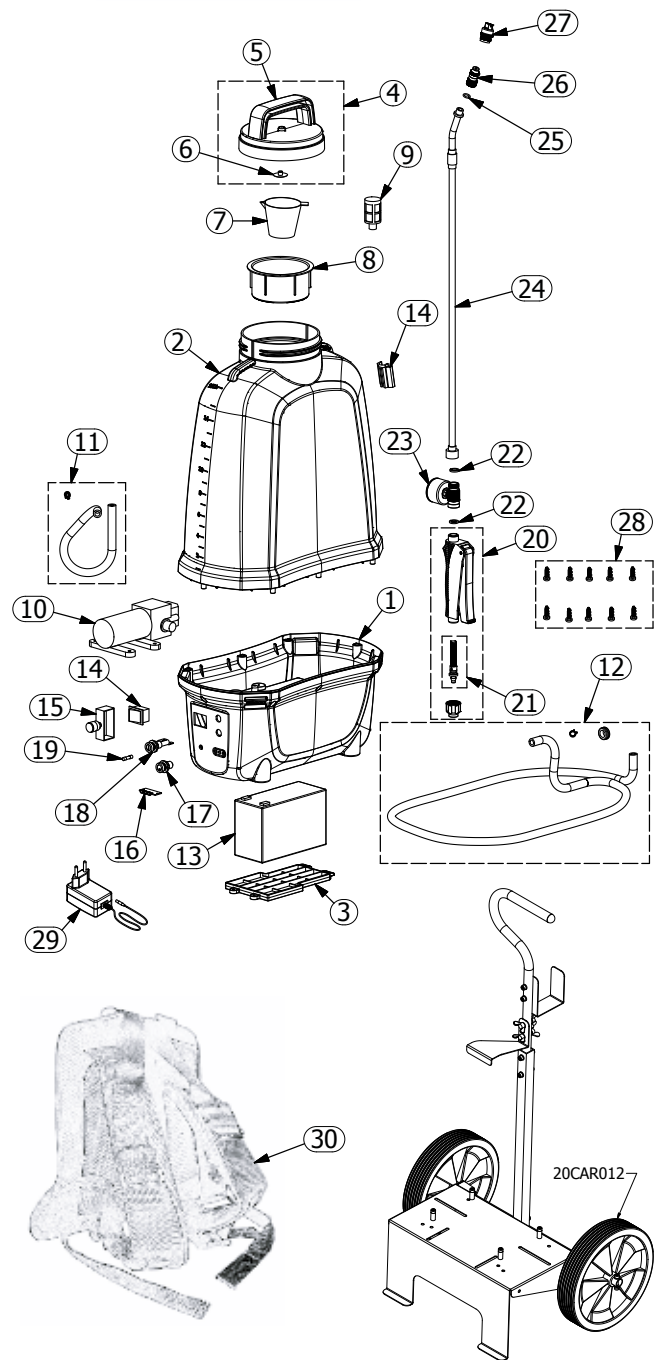
POS.	CODE	DESCRIPTION	UN. MAC.	PCS. BOX.
1	20VBER010	Lower case	1	1
2	20VBER020	Tank	1	1
3	20VBER040	Battery compartment door	1	1
4	19VBER050	Screw cap with valve	1	1
5	19VBER051	Cap	1	1
6	19VBER052	Lid valve	1	5
7	20VBER400	Measuring cup	1	1
8	19VBER060	Sieve	1	1
9	19VBER070	Tank filter	1	2
10	19VBER080	Diaphragm pump 3lt/min	1	1
11	19VBER090	Suction tube	1	1
12	19VBER100	Delivery hose	1	1
13	WBLI8A	Li-ion battery 12V - 8Ah	1	1
14	19VBER200	Lance holder	1	2
15	19VBER130	Sprayer regulator	1	1
16	20VBER500	Control board of the battery charge	1	1
17	19VBER150	Battery charger socket	1	1
18	19VBER160	Fuse holder	1	1
19	10/16	Fuse 5A	1	5
20	163N	Handle	1	1
21	163/6	Filter with hose adaptor	1	2
22	YGUP15	Handle O-ring	2	10
23	20VBER220	Brass adapter with manometer	1	1
24	20VBER170	Telescopic lance in stainless steel	1	1
25	ZZOR108	Lance O-ring	1	10
26	926	Adjustable brass nozzle	1	1
27	218	Fan nozzle for herbicide	1	1
28	20VBER180	Kit self tapping screws 3,9 x 16	10	10
29	WCBLI1-8A	Battery charger 1,8Ah	1	1
30	20VBER190	Backpack with shoulder straps	1	1



E-PRO 16 v.BLACK WITH TROLLEY

ELECTRIC SPRAYER

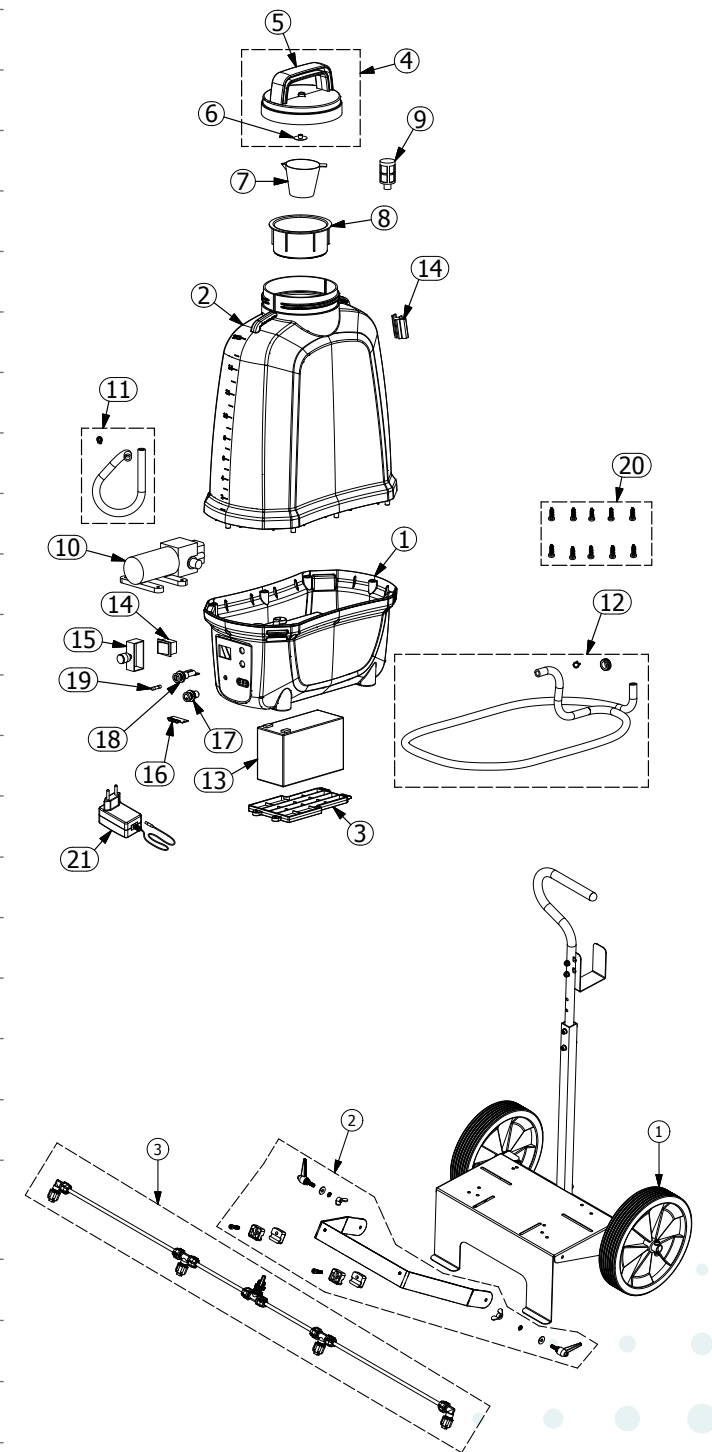
POS.	CODE	DESCRIPTION	UN. MAC.	PCS. BOX.
1	20VBER010	Lower case	1	1
2	20VBER020	Tank	1	1
3	20VBER040	Battery compartment door	1	1
4	19VBER050	Screw cap with valve	1	1
5	19VBER051	Cap	1	1
6	19VBER052	Lid valve	1	5
7	20VBER400	Measuring cup	1	1
8	19VBER060	Sieve	1	1
9	19VBER070	Tank filter	1	2
10	19VBER080	Diaphragm pump 3lt/min	1	1
11	19VBER090	Suction tube	1	1
12	PVC200	Tubo plastica Ret 8x13x2000 nero-nero	1	1
13	WBLI8A	Li-ion battery 12V - 8Ah	1	1
14	19VBER200	Lance holder	1	2
15	19VBER130	Sprayer regulator	1	1
16	20VBER500	Control board of the battery charge	1	1
17	19VBER150	Battery charger socket	1	1
18	19VBER160	Fuse holder	1	1
19	10/16	Fuse 5A	1	5
20	163N	Handle	1	1
21	163/6	Filter with hose adaptor	1	2
22	YGUP15	Handle O-ring	2	10
23	20VBER220	Brass adapter with manometer	1	1
24	20VBER170	Telescopic lance in stainless steel	1	1
25	ZZOR108	Lance O-ring	1	10
26	926	Adjustable brass nozzle	1	1
27	218	Fan nozzle for herbicide	1	1
28	20VBER180	Kit self tapping screws 3,9 x 16	10	10
29	WCBLI1-8A	Battery charger 1,8Ah	1	1
30	20VBER190	Backpack with shoulder straps	1	1
-	20CAR012	Rubber wheels Ø250 for trolley	2	2



E-PRO 16 v.BLACK WITH TROLLEY AND HERBICIDE BAR

ELECTRIC SPRAYER

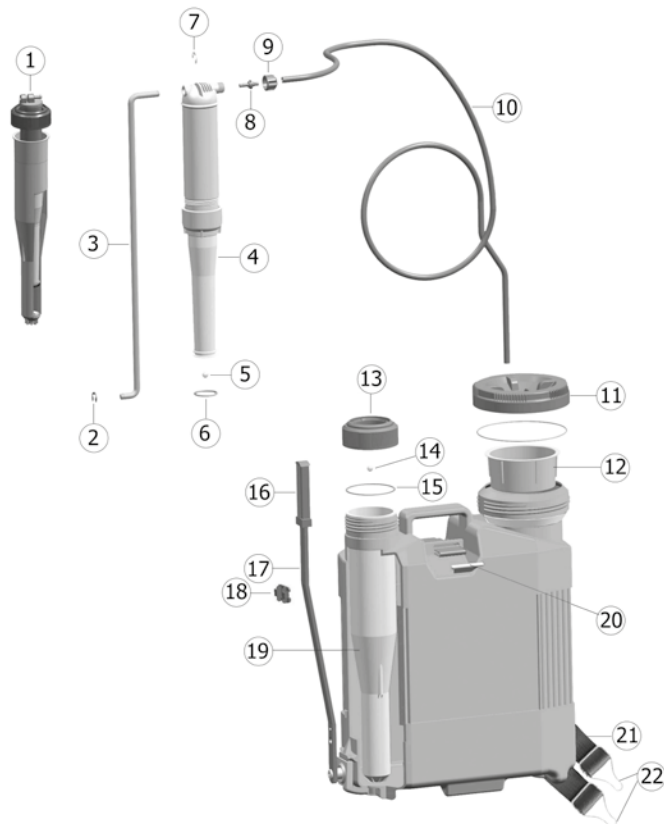
POS.	CODE	DESCRIPTION	UN. MAC.	PCS. BOX.
1	20VBER010	Lower case	1	1
2	20VBER020	Tank	1	1
3	20VBER040	Battery compartment door	1	1
4	19VBER050	Screw cap with valve	1	1
5	19VBER051	Cap	1	1
6	19VBER052	Lid valve	1	5
7	20VBER400	Measuring cup	1	1
8	19VBER060	Sieve	1	1
9	19VBER070	Tank filter	1	2
10	19VBER080	Diaphragm pump 3lt/min	1	1
11	19VBER090	Suction tube	1	1
12	19VBER100	Delivery hose	1	1
13	WBLI8A	Li-ion battery 12V - 8Ah	1	1
14	19VBER200	Lance holder	1	2
15	19VBER130	Sprayer regulator	1	1
16	20VBER500	Control board of the battery charge	1	1
17	19VBER150	Battery charger socket	1	1
18	19VBER160	Fuse holder	1	1
19	10/16	Fuse 5A	1	5
20	19VBER180	Kit self tapping screws 3,9 x 16	10	10
21	WCBLI1-8A	Battery charger 1,8Ah	1	1
1	20CAR012	Rubber wheels Ø250 for trolley	2	2
2	20CPEK5	Frame kit- screws- hose holder for herbicide bar	1	1
3	20CPEK7	Herbicide bar kit Ø10 - 4 Nozzles	1	1



KOMFORT 12LT-16LT V.BLACK

KNAPSACK MANUAL SPRAYER BRASS PUMP

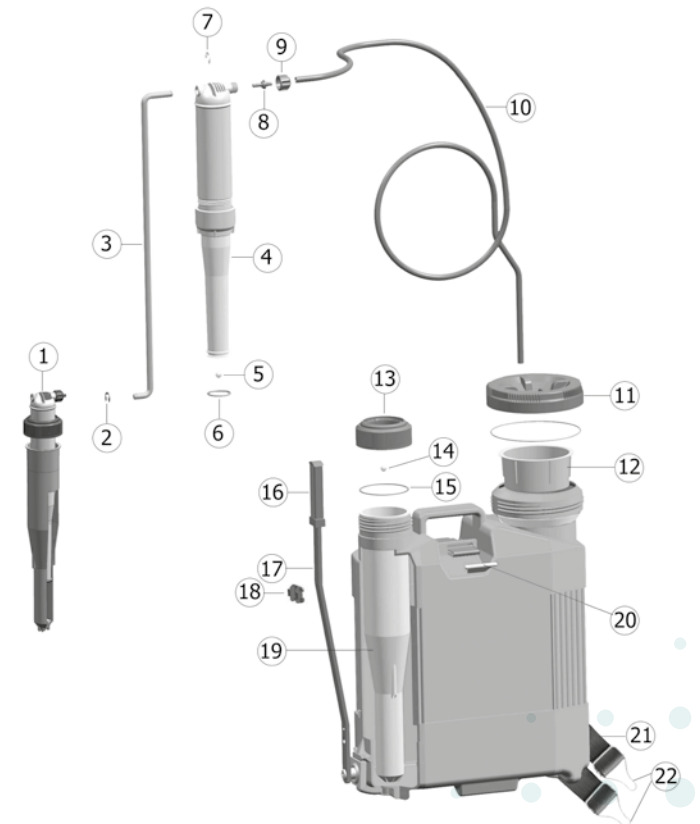
POS.	CODE	DESCRIPTION	UN. MAC.	PCS. BOX.
1	920/30	Complete brass pump. Ø39	1	1
2	ZZBU29W8	Seeger Ø8 Din6799 uni7434	1	10
3	910/16	Zinc-coated lever Ø10	1	1
4	920/3	Piston or holder Ø39	1	1
5	920/81	Stainless steel sphere valve 1/2"	2	10
6	ZZOR139	Piston seal or 32,92x3,53 NBR 70SH	1	10
7	ZZBU29W8	Seeger Ø8 DIN6799 UNI7434	2	10
8	163/5R	Hose hose fitting	1	2
9	PL01C01	Plastic ring 3/8" h 23 NY	1	2
10	PVC120	Delivery hose ret PVC 8x13x1200	1	1
11	92/2	Screw lid with valve and OR	1	1
12	78/3	Plastic filter Ø100	1	1
13	95/6	Guided ring nut for plastic pump Ø52	1	1
14	920/81	Stainless steel sphere valve 1/2"	1	10
15	ZZOR159	Piston seal or 55,56x3,53 NBR 70SH tank dea-tif fox	1	10
16	MM	Handle on lever	1	2
17	92/17C	Lever with support	1	1
18	82/22	Handle blocking system	1	2
19	TTB	Plastic pump guide Ø39	1	1
20	PL30Z01	Plastic tab for shoulder strap	1	2
21	TES007	Shoulder strap polypropylene 40 x 2000 sp. 1,6	1	1
22	FE92/1	Hook for shoulder strap	2	2
	1619	Handle with sphere tap	1	1
	189/1	Brass extension pole Ø10 cm. 50 with two connectors + OR	1	1
	928	Get adjustable nozzle with Ø1,5 hose	1	1



KOMFORT 12LT-16LT V.BLACK

KNAPSACK MANUAL SPRAYER PLASTIC PUMP

POS.	CODE	DESCRIPTION	UN. MAC.	PCS. BOX.
1	920/30	Complete plastic pump. Ø39	1	1
2	ZZBU29W8	Seeger Ø8 Din6799 UNI7434	1	10
3	910/16	Zinc-coated lever Ø10	1	1
4	920/3	Piston or holder Ø39	1	1
5	920/81	Stainless steel sphere valve 1/2"	2	10
6	ZZOR139	Piston seal or 32,92x3,53 NBR 70SH	1	10
7	ZZBU29W8	Seeger Ø8 DIN6799 UNI7434	2	10
8	163/5R	Hose hose fitting	1	2
9	PL01C01	Plastic ring 3/8" h 23 NY	1	2
10	PVC120	Delivery hose ret PVC 8x13x1200	1	1
11	92/2	Screw lid with valve and OR	1	1
12	78/3	Plastic filter Ø100	1	1
13	95/6	Guided ring nut for plastic pump Ø52	1	1
14	920/81	Stainless steel sphere valve 1/2"	1	10
15	ZZOR159	Piston seal or 55,56x3,53 NBR 7SH tank Dea-tif Fox	1	10
16	MM	Handle on lever	1	2
17	92/17C	Lever with support	1	1
18	82/22	Handle blocking system	1	2
19	TTB	Plastic pump guide Ø39	1	1
20	PL30Z01	Plastic tab for shoulder strap	1	2
21	TES007	Shoulder strap polypropylene 40 x 2000 sp. 1,6	1	1
22	FE92/1	Hook for shoulder strap	2	2
	1619	Click handle Ø10	1	1
	189/1	Aluminium extension pole Ø10 cm. 50 with male connector and OR	1	1
	928	Get adjustable nozzle with Ø1,5 hose	1	1



VOLPITECH 6

COMPRESSION SPRAYER
WITH FPM OR EPDM GASKETS

CODE	DESCRIPTION	Q.TY
3350/2B	Handle with central rod Volpitech 6	2
3350/3	Screw cap	2
3350/4V	O-Ring piston Volpitech 6	2
3350/5	Cylinder	2
3350/6V	Bottom valve FPM	2
3350/7	Base circle Volpitech 6	2
3385/8	Strap with snap hooks	2

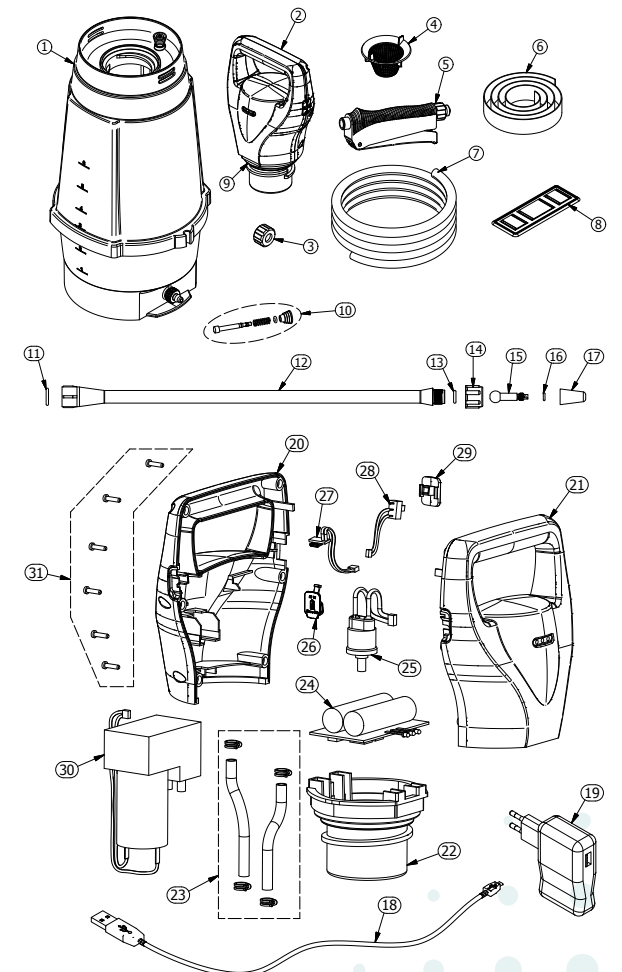


VOLPITECH 7

PRE-COMPRESSION ELECTRIC SPRAYER
WITH FPM GASKETS

POS.	CODE	DESCRIPTION	UN. MAC.	PCS. BOX.
1	19KPR010B	Complete tank VT7 Volpitech	1	1
2	19PRE010	Electric head for sprayer V.Black Proton	1	1
3	PL01D01	1/2" Ring d13,0 NY black sprayers body	1	2
4	3350/13	Plastic sieve Ø69	1	1
5	163N	Click handle	1	1
6	3350/8A	Black shoulder strap 25x1200	1	1
7	PVC120	Plastic hose ret PVC 8x13x1200 black-black	1	1
8	92/4GU25	Sheath 130x50 cm for shoulder strap 25 garden Flora	1	1
9	ZZOR6262	O-ring	1	5
10	19KPR030	Valve assembly V.Black Kompres black	1	5
11	ZZOR3056V	OR 13,95x2,62 FPM 70SH spheric valve xx Volpitech	1	10
12	192P	Extension plastic pipe cm.42	1	1
13	ZZOR109V	OR 9,13x2,62 FPM 70SH plastic extension 192P Volpitech	1	10
14	PL01C02	Girello 3/8" h 19 NY for protective hood/herbicide bar	1	2
15	3340/6V	Adjustable nozzle body pp yellow for Dea	1	2
16	ZZORR4V	OR 4,9x1,9 FPM 50SH nozzle Dea volpitech	1	10
17	3342/10V	Adjustable cap pp yellow Ø1,25	1	2
18	WCAB11	Micro USB black cable	1	1
19	WCBL11A	Battery charger 100-240 VAC 5VDC 1A USB	1	1
20	19PRE011	Half head left for V.Black Proton black	1	1
21	19PRE012	Half head right for V.Black Proton black	1	1
22	19PRE013	Shank head V.Black Proton black	1	1
23	19PRE014	Diaphragm electro pump port 20 lt-min press max 2,5 bar	1	1
24	19PRE015	Electronic board with 2 lithium batteries sprayer V.Black Proton	1	1
25	19PRE016	Pressure switch 1,5 - 2 bar sprayer V.Black Proton	1	1
26	19PRE017	Micro USB socket cover sprayer V.Black Proton	1	5
27	19PRE018	Micro USB socket with wiring sprayer V.Black Proton	1	2

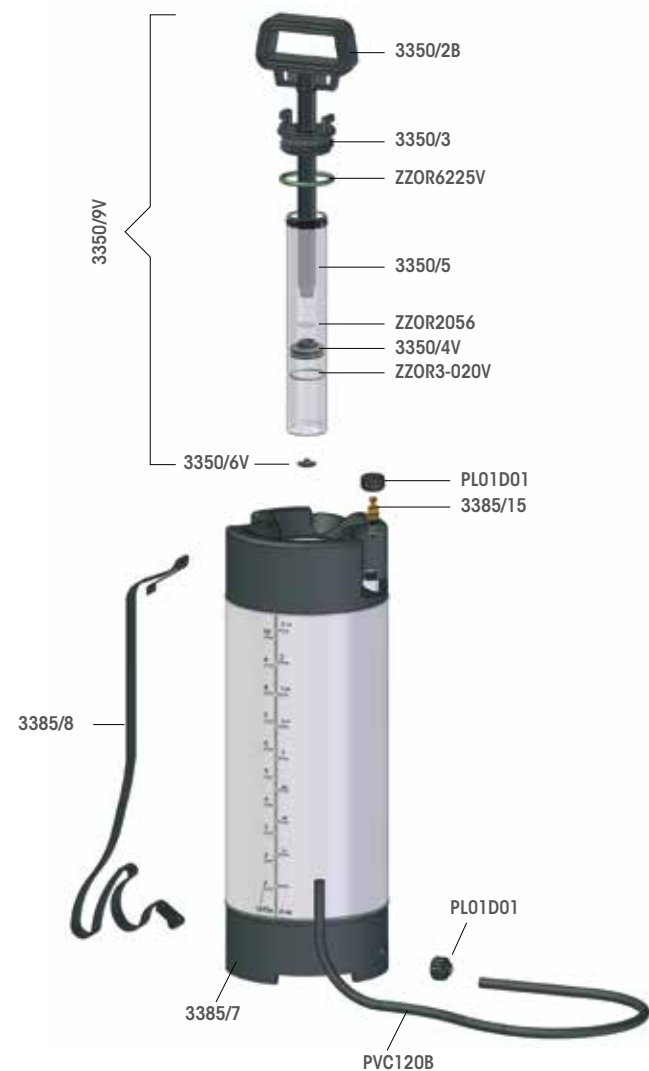
POS.	CODE	DESCRIPTION	UN. MAC.	PCS. BOX.
28	19PRE019	Complete switch with wiring sprayer V.Black Proton	1	2
29	19PRE020	Switch cover for sprayer V.Black Proton	1	5
30	19PREK2	Kit hoses and clamps sprayer V.Black Proton	1	1
31	19PREK3	Screws kit sprayer V.Black Proton	1	1



VOLPITECH 10

COMPRESSION SPRAYER
WITH FPM OR EPDM GASKETS

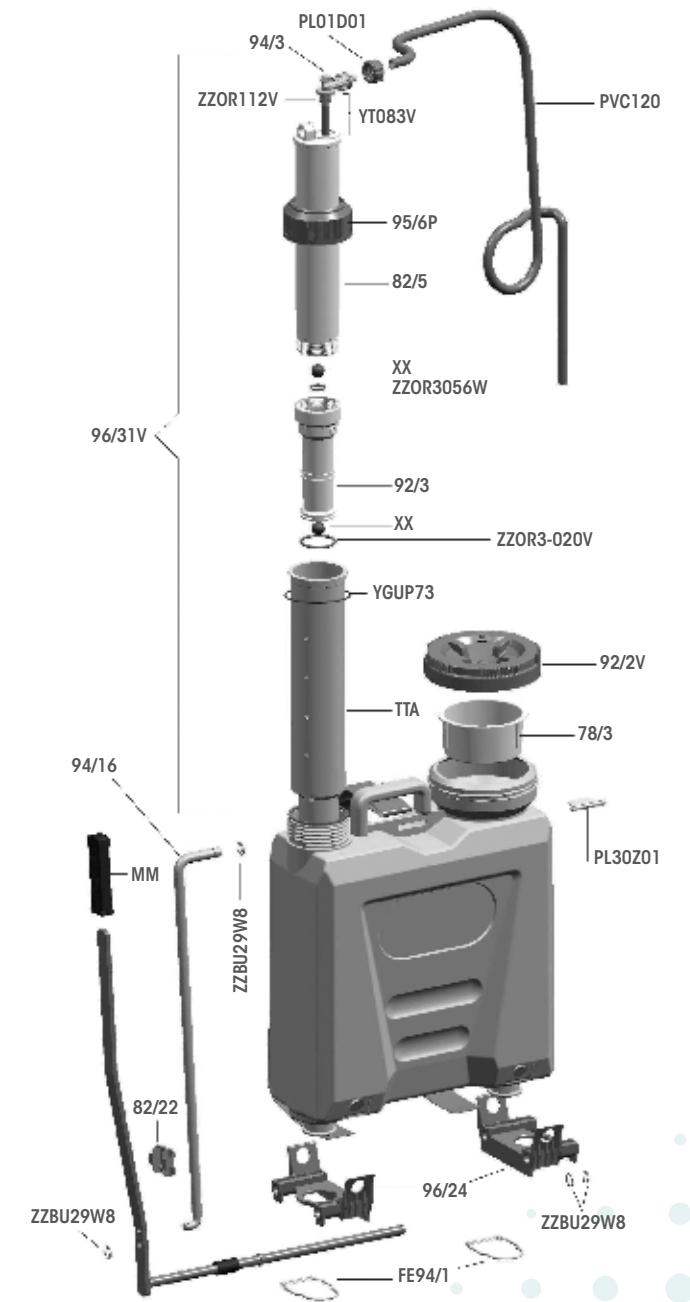
CODE	DESCRIPTION	Q.TY
3385/8	Strap with pins for Volpitech 6	2
3350/9V	Complete pump for Volpitech 6 and Volpitech 10 with FPM gaskets	2
3350/18	Pressure discharge valve for Volpitech 6	5
ZZOR2056	O-ring to the pumping handle	10
ZZOR3-020V	FPM seal O-ring	10
ZZOR6225V	FPM cover seal O-ring	10
PL01D01	1/2" ring	10
PVC120B	Delivery hose black and white cm 120	10
3385/7	Base circle Volpitech 10	2
3385/15	Pressure discharge valve Volpitech 10	5



VOLPITECH 12

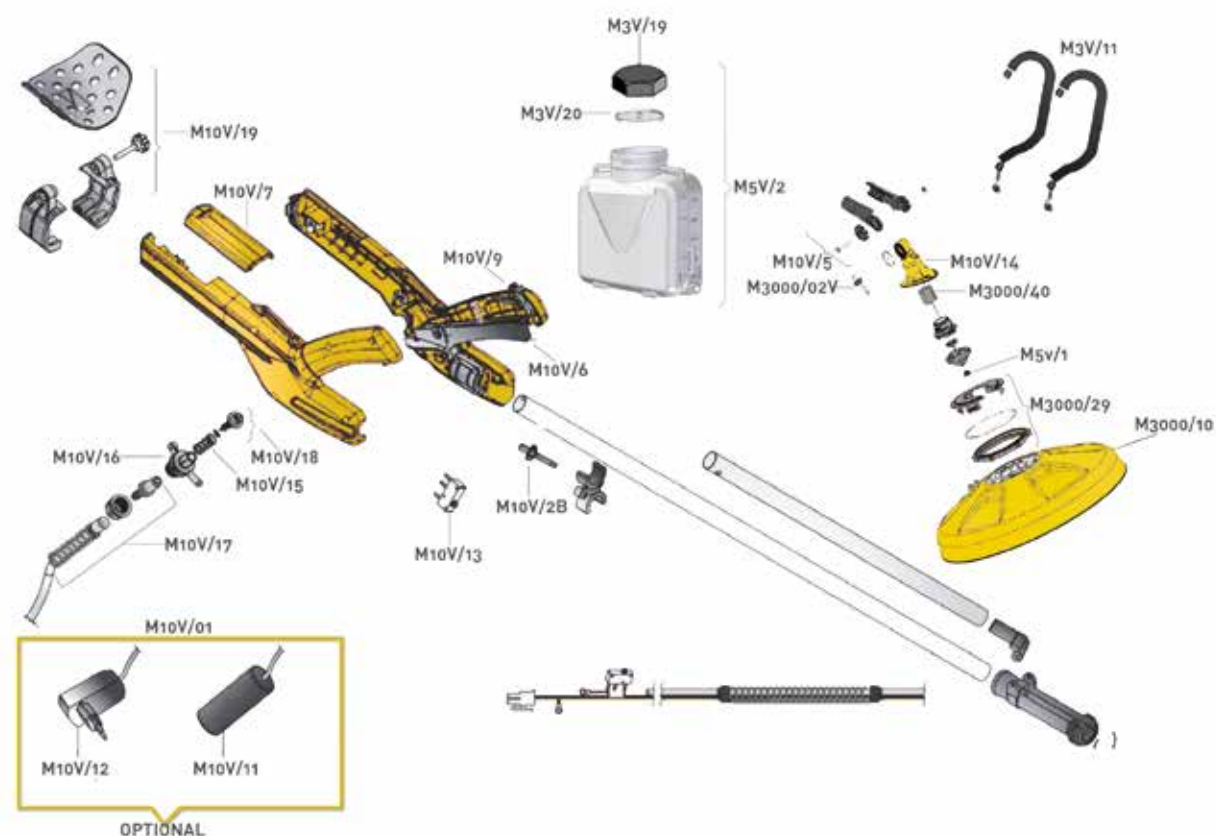
KNAPSACK SPRAYER
WITH FPM GASKETS

POS.	CODE	DESCRIPTION	UN. MAC.	PCS. BOX.
1	PL01D01	1/2" Ring	1	2
2	94/3	Adjustable plastic hose adaptor	1	2
3	ZZOR112V	OR 9,92x2,62 FPM 70SH hose adaptor pump for Volpitech	1	10
4	YT083V	Suction tube for UNI	1	10
5	PVC120	Delivery hose 120 cm black	1	10
6	95/6P	Pump guide ring nut Ø52 plastic	1	2
7	82/5	Pressure chamber for UNI		
8	XX	Stainless steel sphere valve	2	10
9	ZZOR3056V	Internal valve housing OR	1	10
10	92/3	Piston OR 3-020 holder	1	2
11	ZZOR3-020V	OR 13,95x2,62 FPM 70SH piston for knapsack sprayers	1	10
12	YGUP73	Flat PVC gasket 73x66x2	1	10
13	92/2V	Screw lid with valve and OR for Volpitech	1	2
14	TTA	Pump guide	1	2
15	78/3	Plastic filter Ø100	1	2
16	PL30Z01	Plastic tab for shoulder strap	1	2
17	94/16	Zinc plated lever	1	1
18	MM	Handle on lever	1	2
19	82/22	Handle blocking system	1	2
20	96/24	Base for UNI	2	2
21	FE94/1	Hook for shoulder strap	2	10
22	96/31V	Complete plastic pump for Volpitech	1	2
23	ZZBU29W8	Seeger Ø8	2	10



JOLLY 5 WITH PROTECTIVE HOOD

ELECTRIC MICRONIZER

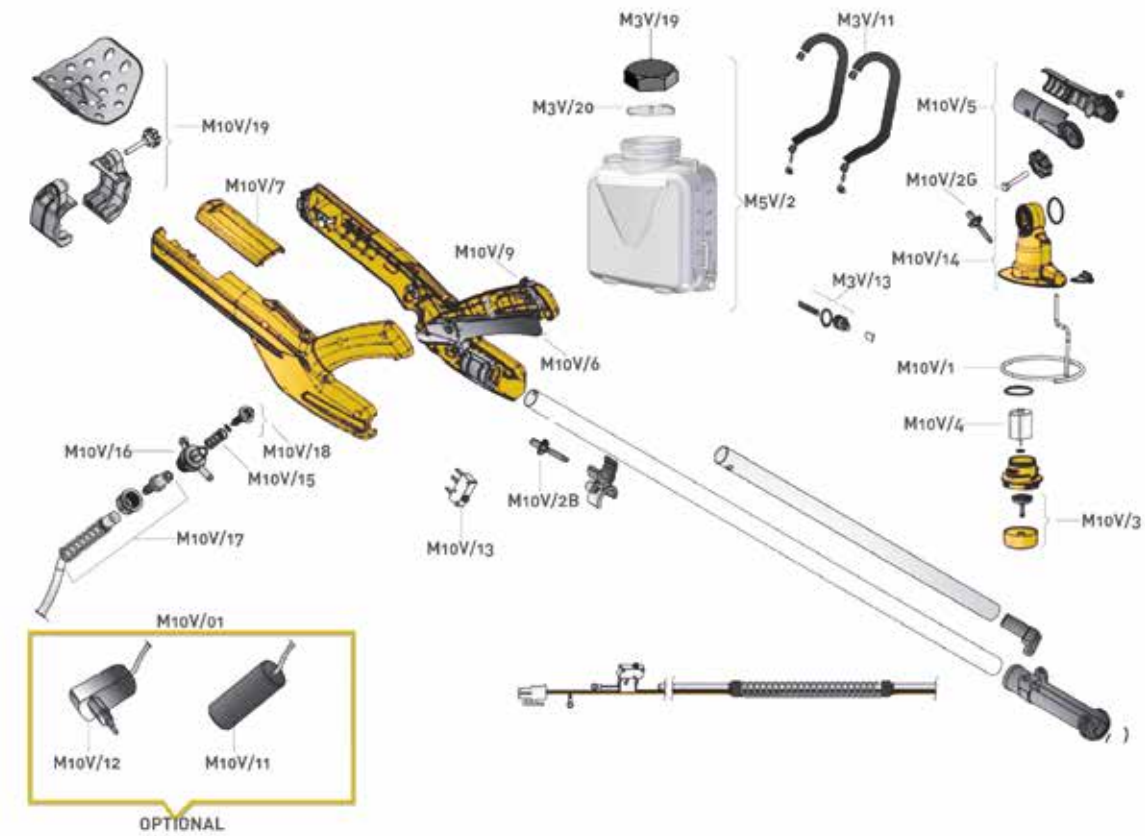


CODE	DESCRIPTION	Q.TY
M3000/10	Protective hood Ø35	1
M10V/01	Rechargeable lithium battery kit with charger	1
M10V/11	Lithium battery M10V	1
M10V/12	Battery charger M10V	1
M3000/02V	Green nozzle M3000 (Ø0,8)	1
M10V/2B	Blue nozzle M10V Ø1,2	1
M10V/13	Micro-switch M10V	1
M10V/14	Motor support M10V	1
M10V/15	Spring valve M10V	1
M10V/16	Tap for liquid M10V	1
M10V/17	Liquid valve M10V	1
M10V/18	Tap set M10V	1

CODE	DESCRIPTION	Q.TY
M10V/19	Elbowrest M10V	1
M5V/1	Spreader nozzle M5V35	1
M3000/40	Motor for M300	1
M10V/5	Joint set M10V	1
M10V/6	Operating lever M10V	1
M10V/7	Cap for battery compartment M10V	1
M10V/9	Block lever M10V	1
M3V/11	Complete shoulder straps	1
M3000/29	Hood fixing kit M3000	1
M5V/2	Complete tank 5 lt form 5V M5V35 filling Ø10	1
M3V/19	Tank cap - filling Ø10	1
M3V/20	Tank filter - filling Ø10	1

JOLLY 5LT

ELECTRIC MICRONIZER

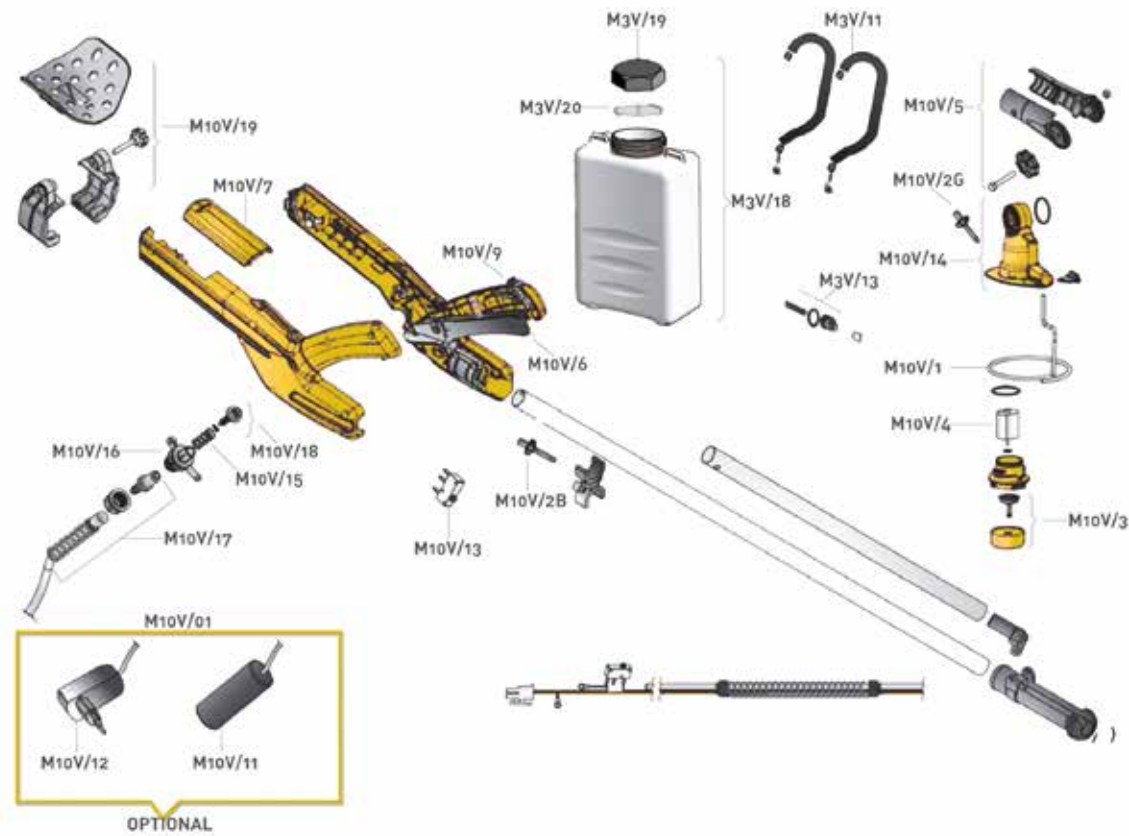


CODE	DESCRIPTION	Q.TY
M10V/1	Protection ring M10V	1
M10V/01	Rechargeable lithium battery kit with charger	1
M10V/11	Lithium battery M10V	1
M10V/12	Battery charger for lithium battery M10V	1
M10V/2G	Yellow nozzle M10V and M2000 Ø1,0	1
M10V/2B	Blue nozzle M10V Ø1,2	1
M10V/13	Micro switch M10V	1
M10V/14	Motor support M10V	1
M10V/15	Valve spring M10V	1
M10V/16	Tap for liquid M10V	1
M10V/17	Liquid valve M10V	1
M10V/18	Tap set M10V	1

CODE	DESCRIPTION	Q.TY
M10V/19	Arm support M10V	1
M10V/3	Filter with fitting	1
M10V/4	Complete motor M10V	1
M10V/5	Complete joint M10V	1
M10V/6	Actuation lever M10V	1
M10V/7	Battery compartment cover M10V	1
M10V/9	Block lever M10V	1
M3V/11	Pair of complete shoulder straps	1
M3V/13	Filter with fitting	1
M5V/2	Complete tank for liquids with opening Ø10	1
M3V/19	Tank cover opening Ø10	1
M3V/20	Filter for tank with opening Ø10	1

JOLLY 10LT

ELECTRIC MICRONIZER



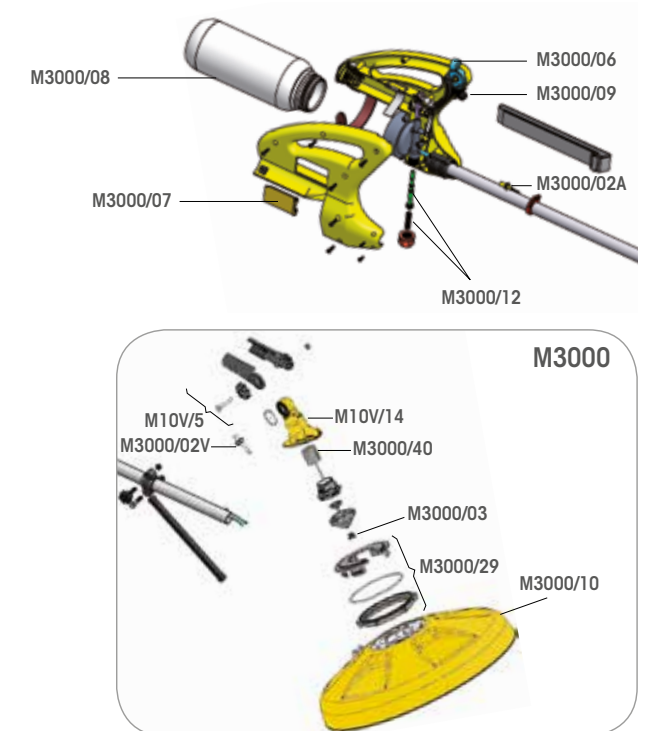
CODE	DESCRIPTION	Q.TY
M10V/1	Protection ring M10V	1
M10V/01	Rechargeable lithium battery kit with charger	1
M10V/11	Lithium battery M10V	1
M10V/12	Battery charger for lithium battery M10V	1
M10V/2G	Yellow nozzle M10V and M2000 Ø1,0	1
M10V/2B	Blue nozzle M10V Ø1,2	1
M10V/13	Micro switch M10V	1
M10V/14	Motor support M10V	1
M10V/15	Valve spring M10V	1
M10V/16	Tap for liquid M10V	1
M10V/17	Liquid valve M10V	1
M10V/18	Tap set M10V	1

CODE	DESCRIPTION	Q.TY
M10V/19	Arm support M10V	1
M10V/3	Filter with fitting	1
M10V/4	Complete motor M10V	1
M10V/5	Complete joint M10V	1
M10V/6	Actuation lever M10V	1
M10V/7	Battery compartment cover M10V	1
M10V/9	Block lever M10V	1
M3V/11	Pair of complete shoulder straps	1
M3V/13	Filter with fitting	1
M3V/18	Complete tank for liquids with opening Ø10	1
M3V/19	Tank cover opening Ø10	1
M3V/20	Filter for tank with opening Ø10	1

M3000 WITH PROTECTIVE HOOD

ELECTRIC MICRONIZER M3000 / M3000 (UNTIL 2012)

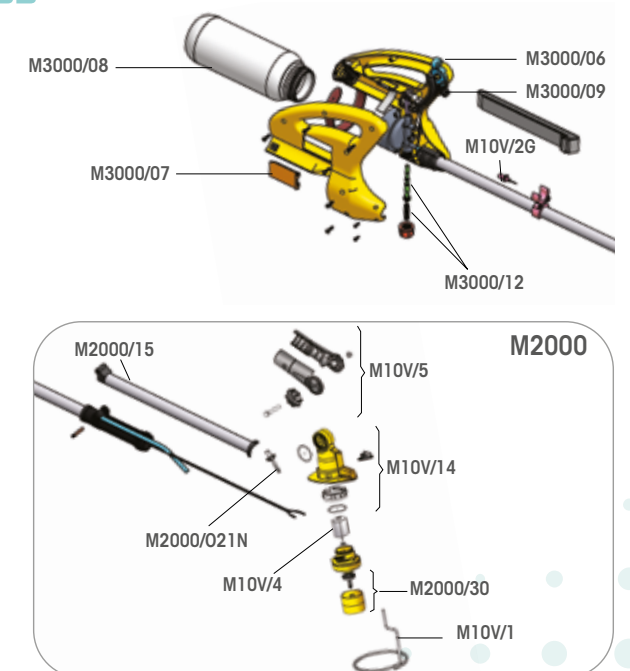
CODE	DESCRIPTION	Q.TY
M10V/5	Complete joint	1
M10V/14	Motor support	1
M3000/02V	Green nozzle M3000 (Ø0,8)	1
M3000/02A	Orange nozzle M3000 (Ø1,0)	1
M3000/06	ON-OFF switch M3000	1
M3000/07	Battery compartment cover for M3000	1
M3000/08	1 Liter tank	1
M3000/09	Switch block M3000	1
M3000/10	Protective hood Ø35	1
M3000/12	Liquid opening valve M3000	1
M3000/14	Complete motor support	1
M3000/40	Motor for M3000	1



M2000 WITHOUT PROTECTIVE HOOD

ELECTRIC MICRONIZER M2000 / M2000 (UNTIL 2012)

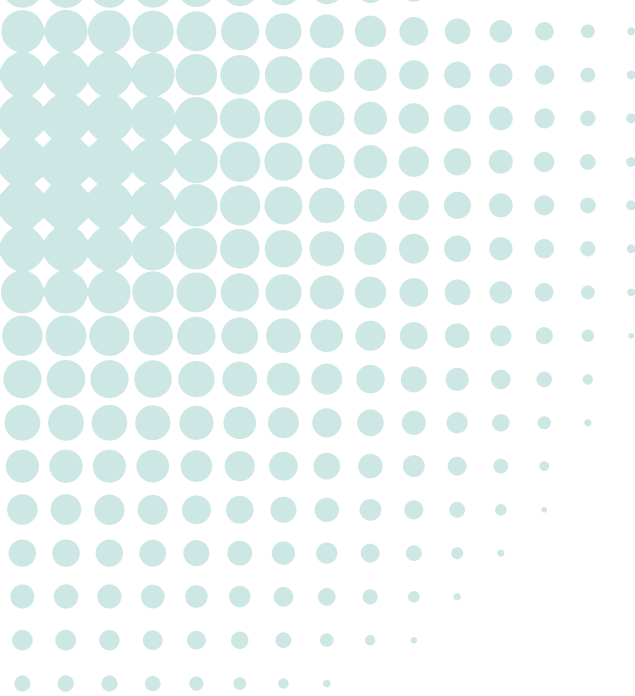
CODE	DESCRIPTION	Q.TY
M10V/1	Protection ring	1
M2000/02R1N	Red nozzle M2000 Ø1,2	1
M10V/2G	Yellow nozzle M2000 and M10V Ø1,0	1
M2000/02M	Brown nozzle M2000 Ø1,4	1
M2000/02N	Black nozzle M2000 Ø1,6	1
M10V/4	Complete motor	1
M10V/5	Complete joint	1
M10V/14	Motor support	1
M2000/30	Diffuser disc	1





EXPORT GENERAL SALES CONDITIONS

1. *Orders fulfilment: we reserve the right to process orders even in part, according to production needs or stock availability.*
2. *Delivery terms: delivery terms are not binding and in no case shall compensation be awarded for any delays. Furthermore delays in deliveries do not give the right to any reduction or cancellation of the order.*
3. *Complaints: any complaints shall be filed within eight days from receipt of the goods, and any missing packages shall be equally reported in the transport document within eight days.*
4. *Warranty: all our products are guaranteed against manufacturing defects since they are checked and tested before shipment. Any parts found to be defective by the customer shall be repaired or replaced by us free of charge. The parts considered consumables are not covered by the warranty, nor those parts that prove to be defective due to negligence or carelessness by the customer, to damage caused by transportation or to circumstances that, in any case, cannot be attributable to manufacturing defects in the product.*
5. *Disputes: no dispute will give the buyer the right to suspend or delay payments. For any dispute arising out of business transacted by us or our agents, either in Italy or abroad, the competent authority shall be the court of Mantua, Italy.*



Davide e Luigi Volpi S.p.A.

COMPANY WITH QUALITY MANAGEMENT SYSTEM CERTIFIED ICIM UNI EN ISO 9001:2015

Via San Rocco, 10 - 46040 Casalromano (MN) Italia - Tel. +39 0376 76009 - Fax +39 0376 76408
www.volpioriginale.it - commerciale@volpioriginale.it - export@volpioriginale.it

